



Service Manual

EN

Manual de servicio

ES

Appendix

MultiPlus (with firmware xxxx400 or higher)

MultiPlus (con firmware xxxx400 o superior)

12 | 3000 | 120 - 50 | 120V (PMP122301102)

24 | 3000 | 70 - 50 | 120V (PMP242301102)

1. IMPORTANT SAFETY INSTRUCTIONS - SAVE THESE INSTRUCTIONS!

In general

Please read the documentation supplied with this product first, so that you are familiar with the safety signs and directions before using the product.

This product is designed and tested in accordance with international standards. The equipment should be used for the designated application only.

Warning – These servicing instructions are for use by qualified personnel only. To reduce the risk of electric shock, do not perform any servicing other than that specified in the operating instructions unless you are qualified to do so

WARNING: DANGER OF ELECTRICAL SHOCK

The product is used in combination with a permanent energy source (battery). Even if the equipment is switched off, a dangerous electrical voltage can occur at the input and/or output terminals. Always switch the AC power off and disconnect the battery before performing maintenance.

The product contains no internal user-serviceable parts. Do not remove the front panel and do not put the product into operation unless all panels are fitted. All maintenance should be performed by qualified personnel.

Never use the product at sites where gas or dust explosions could occur. Refer to the specifications provided by the manufacturer of the battery to ensure that the battery is suitable for use with this product. The battery manufacturer's safety instructions should always be observed.

WARNING: do not lift heavy objects unassisted.

Installation

Read the installation instructions before commencing installation activities.

This product is a safety class I device (supplied with a ground terminal for safety purposes). **Its AC input and/or output terminals must be provided with uninterruptible grounding for safety purposes. An additional grounding point is located on the outside of the product.** If it can be assumed that the grounding protection is damaged, the product should be taken out of operation and prevented from accidentally being put into operation again; contact qualified maintenance personnel.

Ensure that the connection cables are provided with fuses and circuit breakers. Never replace a protective device by a component of a different type. Refer to the manual for the correct part.

The installation shall be in accordance with the Canadian Electrical Code, Part 1. The wiring methods shall be in accordance with the National Electrical Code, ANSI/NFPA 70.

Check before switching the device on whether the available voltage source conforms to the configuration settings of the product as described in the manual.

Ensure that the equipment is used under the correct operating conditions. Never operate it in a wet or dusty environment. Ensure that there is always sufficient free space around the product for ventilation, and that ventilation openings are not blocked. Install the product in a heatproof environment. Ensure therefore that there are no chemicals, plastic parts, curtains or other textiles, etc. in the immediate vicinity of the equipment.

Transport and storage

On storage or transport of the product, ensure that the mains supply and battery leads are disconnected.

No liability can be accepted for damage in transit if the equipment is not transported in its original packaging.

Store the product in a dry environment; the storage temperature should range from -20°C to 60°C .

Refer to the battery manufacturer's manual for information on transport, storage, charging, recharging and disposal of the battery.

2. Installation



This product may only be installed by a qualified electrical engineer.

2.1 Location

The product must be installed in a dry and well-ventilated area, as close as possible to the batteries. There should be a clear space of at least 10cm around the appliance for cooling.



Excessively high ambient temperature will result in the following:

- Reduced service life.
- Reduced charging current.
- Reduced peak capacity, or shutdown of the inverter.
- Never position the appliance directly above the batteries.

The MultiPlus is suitable for wall mounting. For mounting purposes, a hook and two holes are provided at the back of the casing (see appendix G). The device can be fitted either horizontally or vertically. For optimal cooling, vertical fitting is preferred.



The interior of the product must remain accessible after installation.

Try and keep the distance between the product and the battery to a minimum in order to minimize cable voltage loss.



For safety purposes, this product should be installed in a heat-resistant environment. You should prevent the presence of e.g. chemicals, synthetic components, curtains or other textiles, etc., in the immediate vicinity.



Each system requires a method of disconnecting the AC and DC circuits. If the overcurrent protection device is a circuit breaker, it will also serve as the disconnect. If fuses are used, separate disconnect switches will be needed between the source and the fuses.



To reduce the risk of fire, do not connect to an ac load center (circuit breaker panel) having multiwire branch circuits connected.



CAUTION – To reduce risk of injury, charge only Lead Acid or LIFEPO4 type rechargeable batteries. Other types of batteries may burst causing personal injury and damage



Use of an attachment not recommended or sold by the marine unit manufacturer may result in a risk of fire, electric shock, or injury to persons.



WARNING – RISK OF EXPLOSIVE GASES) WORKING IN VICINITY OF A LEAD-ACID BATTERY IS DANGEROUS. BATTERIES GENERATE EXPLOSIVE GASES DURING NORMAL BATTERY OPERATION. FOR THIS REASON, IT IS OF UTMOST IMPORTANCE THAT EACH TIME BEFORE SERVICING THE UNIT IN THE VICINITY OF THE BATTERY, YOU READ THIS MANUAL AND FOLLOW THE INSTRUCTIONS EXACTLY.



PERSONAL PRECAUTIONS

- Someone should be within range of your voice or close enough to come to your aid when you work near a lead-acid battery.
- Have plenty of fresh water and soap nearby in case battery acid contacts skin, clothing, or eyes.
- Wear complete eye protection and clothing protection. Avoid touching eyes while working near battery.
- If battery acid contacts skin or clothing, wash immediately with soap and water. If acid enters eye, immediately flood eye with running cold water for at least 10 min and get medical attention immediately.
- NEVER smoke or allow a spark or flame in vicinity of battery or engine.
- Be extra cautious to reduce risk of dropping a metal tool onto battery. It might spark or short-circuit battery or other electrical part that may cause explosion.
- Remove personal metal items such as rings, bracelets, necklaces, and watches when working with a lead-acid battery. A lead-acid battery can produce a short-circuit current high enough to weld a ring or the like to metal, causing a severe burn.

- NEVER charge a frozen battery.
- If necessary to remove battery from vessel, always remove grounded terminal from battery first. Make sure all accessories in the vessels are off, so as not to cause an arc.
- Be sure area around battery is well ventilated. Clean battery terminals. Be careful to keep corrosion from coming in contact with eyes. Study all battery manufacturer's specific precautions such as removing or not removing cell caps while charging and recommended rates of charge.
- Clean battery terminals. Be careful to keep corrosion from coming in contact with eyes.
- Study all battery manufacturer's specific precautions such as removing or not removing cell caps while charging and recommended rates of charge.



MARINE UNIT LOCATION

- Locate marine unit away from battery in a separate, well ventilated compartment.
- Never place marine unit directly above battery; gases from battery will corrode and damage marine unit.
- Never allow battery acid to drip on marine unit when reading gravity or filling battery.
- Do not operate marine unit in a closed-in area or restrict ventilation in any way.



DC CONNECTION PRECAUTIONS

Connect and disconnect DC output connections only after setting any marine unit switches to off position and removing AC cord from electric outlet or opening AC disconnect.



EXTERNAL CONNECTIONS TO CHARGER SHALL COMPLY WITH THE UNITED STATES COAST GUARD ELECTRICAL REGULATIONS (33CFR183, SUB PART I).



GROUNDING INSTRUCTIONS – This marine unit should be connected to a grounded, metal, permanent wiring system; or an equipment-grounding conductor should be run with circuit conductors and connected to equipment-grounding terminal or lead on unit. Connections to unit should comply with all local codes and ordinances.

2.2 Connection of battery cables

In order to utilize the full capacity of the product, batteries with sufficient capacity and battery cables with sufficient cross section should be used. The DC cables must be copper and rated 90°C (194°F) See table.

	12/3000/120	24/3000/70
Recommended battery capacity (Ah)	400–1200	200–700
Rated Current	250A	125A
Recommended DC fuse	400A	300A
Recommended cross section (per + and - connection terminal)	2x AWG 1/0	AWG 1/0

'2x' means two positive and two negative cables.

Recommended cable lugs

size	
AWG 1/0	Molex part no. 19221-0240
AWG 2	Molex part no. 19221-0233

Remark: Internal resistance is the important factor when working with low capacity batteries. Please consult your supplier or the relevant sections of our book "Energy Unlimited", downloadable from our website.

Procedure

Proceed as follows to connect the battery cables:



Use a torque wrench with insulated box spanner in order to avoid shorting the battery.

Maximum torque: 11 Nm

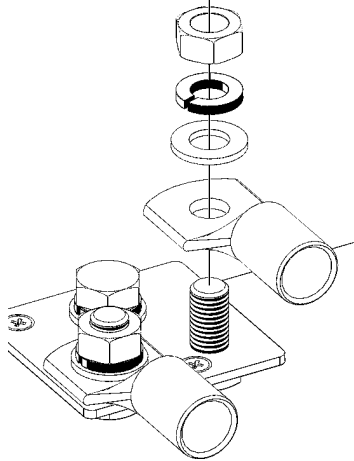
Avoid shorting the battery cables.

- Undo the four screws at the front of the enclosure and remove the front panel.
- Connect the battery cables: see Appendix A.



victron energy

- The connector goes on first, then the flat washer, lock washer and nut. Tighten the nuts well for minimal contact resistance.



2.3 Connection of the AC cabling

The MultiPlus is a safety class I product (supplied with a ground terminal for safety purposes). **Its AC input and/or output terminals and/or grounding point on the outside of the product must be provided with an uninterruptible grounding point for safety purposes.**



The MultiPlus is provided with a ground relay (relay H, see appendix B) that **automatically connects the Neutral output to the chassis if no external AC supply is available.** If an external AC supply is provided, the ground relay H will open before the input safety relay closes. This ensures the correct operation of an earth leakage circuit breaker that is connected to the output.

- In a fixed installation, an uninterruptible grounding can be secured by means of the grounding wire of the AC input. Otherwise the casing must be grounded.
- In a mobile installation (for example, with a shore current plug), interrupting the shore connection will simultaneously disconnect the grounding connection. In that case, the casing must be connected to the chassis (of the vehicle) or to the hull or grounding plate (of the boat).

In case of a boat, direct connection to the shore ground is not recommended because of potential galvanic corrosion. The solution to this is using an isolation transformer.



This unit or system is provided with fixed trip limits and shall not be aggregated above 30 kw on a single point of common connection.

The terminal blocks can be found on the printed circuit board, see Appendix A. The shore or mains cable must be connected to the Multi with the aid of a three-wire 90°C (194°F) copper cable. Minimum torque 1.6Nm.

	AC-in	AC-Out-1	AC-OUT-2
Rated current	50A	75A	25A
Recommend fuse or circuit breaker	50A	75A	32A
Minimum wire gauge	AWG 6	AWG 6	AWG 10

- **AC-in** (see appendix A)
The AC input cable can be connected to the terminal block "AC-in".
From left to right: "PE" (earth), "N" (neutral) and "L" (phase).
The AC input must be protected by a fuse or magnetic circuit breaker rated at 50A or less, and cable cross-section must be sized accordingly. If the input AC supply is rated at a lower value, the fuse or magnetic circuit breaker should be down sized accordingly.
- **AC-out-1** (see appendix A)
The AC output cable can be connected directly to the terminal block "AC-out".
From left to right: "PE" (earth), "N" (neutral) and "L" (phase). The Output Neutral is not bonded to ground.
With its PowerAssist feature the Multi can add up to 3kVA (that is 3000 / 120 = 25A) to the output during periods of peak power requirement. Together with a maximum input current of 50A this means that the output can supply up to 50 + 25 = 75A.
An earth leakage circuit breaker and a fuse or circuit breaker rated to support the expected load must be included in series with the output, and cable cross-section must be sized accordingly. The maximum rating of the fuse or circuit breaker is 75A.
- **AC-out-2** (see appendix A)
A second output is available that disconnects its load in the event of battery operation. On these terminals, equipment is connected

that may only operate if AC voltage is available on AC-in, e.g. an electric boiler or an air conditioner.

The load on AC-out-2 is disconnected immediately when the MultiPlus switches to battery operation. After AC power becomes available on AC-in, the load on AC-out-2 will be reconnected with a delay of approximately 2 minutes. This to allow a genset to stabilise.

AC-out-2 can support loads of up to 25A. An earth leakage circuit breaker and fuse rated at max. 32A must be connected in series with AC-out-2.

Note: Loads connected to AC-out-2 will be taken into account in the PowerControl / PowerAssist current limit setting. Loads directly connected to the AC supply will **not** be included in the PowerControl / PowerAssist current limit setting.

2.4 Optional Connections

A number of optional connections are possible:

2.4.1 Second Battery

The MultiPlus has a connection for charging a starter battery. For connection see Appendix A.

2.4.2 Voltage Sense

For compensating possible cable losses during charging, two sense wires can be connected with which the voltage directly on the battery or on the positive and negative distribution points can be measured. Use wire with a cross-section of 0,75mm².

During battery charging, the MultiPlus will compensate the voltage drop over the DC cables up to a maximum of 1 Volt (i.e. 1V over the positive connection and 1V over the negative connection). If the voltage drop threatens to become larger than 1V, the charging current is limited in such a way that the voltage drop remains limited to 1V.

2.4.3 Temperature Sensor

The temperature sensor supplied with the product may be used for temperature-compensated charging (see Appendix A). The sensor is isolated and must be mounted on the batteries minus pole.

2.4.4 Remote Control

The product can be remotely controlled in two ways.

- With an external switch (connection terminal H, see appendix A). Operates only if the switch on the MultiPlus is set to "on".
- With a Multi Control panel (connected to one of the two RJ48 sockets B, see appendix A). Operates only if the switch on the MultiPlus is set to "on".

Only one remote control can be connected, i.e. either a switch or a Multi control panel.

2.4.5. Programmable relays

The relays can be programmed for all kinds of applications, for example as a starter relay for a generating set.

2.4.6 Programmable analog/digital input/output ports

These ports can be used for several purposes. One application is communication with the BMS of a lithium-ion battery.

2.4.7 Auxiliary AC output (AC-out-2)

Besides the usual uninterruptable output, a second output (AC-out-2) is available that disconnects its load in the event of battery operation. Example: an electric boiler or air conditioner that is allowed to operate only if the genset is running or shore power is available.

In case of battery operation, AC-out-2 is switched off immediately. After the AC supply has become available, AC-out-2 is reconnected with a delay of 2 minutes, this to allow a genset to stabilise prior to connecting a heavy load.

2.4.8 Parallel Connection

The MultiPlus can be connected in parallel with several identical devices. To this end, a connection is established between the devices by means of standard RJ45 UTP cables. The **system** (one or more Multis plus optional control panel) will require subsequent configuration (see Section 5).

In the event of connecting MultiPlus units in parallel, the following requirements must be met:

- A maximum of six units connected in parallel.
- Only identical devices may be connected in parallel.
- The DC connection cables to the devices must be of equal length and cross-section.
- If a positive and a negative DC distribution point is used, the cross-section of the connection between the batteries and the DC distribution point must at least equal the sum of the required cross-sections of the connections between the distribution point and the MultiPlus units.
- Place the MultiPlus units close to each other, but allow at least 10cm for ventilation purposes under, above and beside the units.
- UTP cables must be connected directly from one unit to the other (and to the remote panel). Connection/splitter boxes are not permitted.
- A battery-temperature sensor need only be connected to one unit in the system. If the temperature of several batteries is to be measured, you can also connect the sensors of other MultiPlus units in the system (with a maximum of one sensor per MultiPlus). Temperature compensation during battery charging responds to the sensor indicating the highest temperature.
- Voltage sensing must be connected to the master (see Section 5.5.1.4).
- Only one remote control means (panel or switch) can be connected to the **system**.

2.4.9 Three-phase operation

The MultiPlus can also be used in 3-phase wye (Y) configuration. To this end, a connection between the devices is made by means of standard RJ45 UTP cables (the same as for parallel operation). The **system** (Multis plus an optional control panel) will require subsequently configuration (see Section 3).

Pre-requisites: see Section 4.4.8.

Note: the MultiPlus is not suitable for 3-phase delta (Δ) configuration.

3. Configuration



- Settings may only be changed by a qualified electrical engineer.
- Read the instructions thoroughly before implementing changes.
- During setting of the charger, the AC input must be removed.

3.1 Standard settings: ready for use

On delivery, the MultiPlus is set to standard factory values. In general, these settings are suitable for single-unit operation.

Warning: Possibly, the standard battery charging voltage is not suitable for your batteries! Refer to the manufacturer's documentation, or to your battery supplier!

Standard MultiPlus factory settings

Inverter frequency	60Hz
Input frequency range	45 - 65Hz
Input voltage range	94 - 143VAC
Inverter voltage	120VAC
Stand-alone / parallel / 3-phase	stand-alone
AES (Automatic Economy Switch)	off
Ground relay	on
Charger on/off	on
Battery charge curve	four-stage adaptive with BatterySafe mode
Charging current	75% of the maximum charging current
Battery type	Victron Gel Deep Discharge (also suitable for Victron AGM Deep Discharge)
Automatic equalisation charging	off
Absorption voltage	14.4 / 28.8 / 57.6V
Absorption time	up to 8 hours (depending on bulk time)
Float voltage	13.8 / 27.6 / 55.2V
Storage voltage	13.2 / 26.4 / 52.8V (not adjustable)
Repeated absorption time	1 hour
Absorption repeat interval	7 days
Bulk protection	on
AC input current limit	50A (= adjustable current limit for PowerControl and PowerAssist functions)
UPS feature	on
Dynamic current limiter	off
WeakAC	off
BoostFactor	2
Programmable relay	alarm function
PowerAssist	on

3.2 Explanation of settings

Settings that are not self-explanatory are described briefly below. For further information, please refer to the help files in the software configuration programs (see Section 3.3).

Inverter frequency

Output frequency if no AC is present at the input.
Adjustability: 50Hz; 60Hz

Input frequency range

Input frequency range accepted by the MultiPlus. The MultiPlus synchronises within this range with the AC input frequency. The output frequency is then equal to the input frequency.
Adjustability: 45 – 65Hz; 45 – 55Hz; 55 – 65Hz

Input voltage range

Voltage range accepted by the MultiPlus. The MultiPlus synchronises within this range with the AC input voltage. The output voltage is then equal to the input voltage.

Adjustability: Lower limit: 94 - 120V
Upper limit: 120 - 143V

Note: the standard lower limit setting of 94V is intended for connection to a weak mains supply, or to a generator with unstable AC output. This setting may result in a system shut down when connected to a 'brushless, self excited, externally voltage regulated, synchronous AC generator' (synchronous AVR generator). Most generators rated at 10kVA or more are synchronous AVR generators. The shut down is initiated when the generator is stopped and revs down while the AVR simultaneously 'tries' to keep the output voltage of the generator at 120V.

The solution is to increase the lower limit setting to 110VAC (the output of AVR generators is generally very stable), or to disconnect the Multi(s) from the generator when a generator stop signal is given (with help of an AC contactor installed in series with the generator).

Inverter voltage

Output voltage of the MultiPlus in battery operation.
Adjustability: 95 – 128V

Stand-alone / parallel operation / 2-3 phase setting

Using several devices, it is possible to:

- increase total inverter power (several devices in parallel)
- create a split-phase system by stacking (only for MultiPlus units with 120V output voltage)
- create a split-phase system with a separate autotransformer: see VE autotransformer datasheet and manual
- create a 3-phase system.

The standard product settings are for standalone operation. For parallel, three phase or split phase operation see sections 3.3 / 3.4 and 3.5.

AES (Automatic Economy Switch)

If this setting is turned 'on', the power consumption in no-load operation and with low loads is decreased by approx. 20%, by slightly 'narrowing' the sinusoidal voltage. Applicable in stand-alone configuration only.

Search Mode

Instead of the AES mode, the **search mode** can also be chosen (with help of VEConfigure only).

If search mode is 'on', the power consumption in no-load operation is decreased by approx. 70%. In this mode the MultiPlus, when operating in inverter mode, is switched off in case of no load or very low load, and switches on every two seconds for a short period. If the output current exceeds a set level, the inverter will continue to operate. If not, the inverter will shut down again.

The Search Mode "shut down" and "remain on" load levels can be set with VEConfigure.

The standard settings are:

Shut down: 40 Watt (linear load)

Turn on: 100 Watt (linear load)

Not adjustable with DIP switches. Applicable in stand-alone configuration only.

Ground relay (see appendix B)

With this relay (H), the neutral conductor of the AC output is grounded to the chassis when the back feed safety relay is open. This ensures the correct operation of earth leakage circuit breakers in the output.

- If a non-grounded output is required during inverter operation, this function must be turned off, see appendix A. Not adjustable with DIP switches.
- Models with 50A transfer capacity only: if required an external ground relay can be connected (for a split-phase system with a separate autotransformer). See appendix A.

Battery charge curve

The standard setting is 'Four-stage adaptive with BatterySafe mode'. See User manual Section 2 for a description.

This is the best charging characteristic. See the help files in the software configuration programs for other features.

'Fixed' mode can be selected with DIP switches.

Battery type

The standard setting is the most suitable for Victron Gel Deep Discharge, Gel Exide A200, and tubular plate stationary batteries (OPzS). This setting can also be used for many other batteries: e.g. Victron AGM Deep Discharge and other AGM batteries, and many types of flat-plate open batteries. Four charging voltages can be set with DIP switches.

With VEConfigure the charge curve can be adjusted to charge any battery type (Nickel Cadmium batteries, Lithium-ion batteries)

Automatic equalisation charging

This setting is intended for flooded tubular plate traction or OPzS batteries. During absorption the voltage limit increases to 2,83V/cell (34V for a 24V battery) once the charge current has tapered down to less than 10% of the set maximum current.

Not adjustable with DIP switches.

See 'tubular plate traction battery charge curve' in VEConfigure.

Absorption time

The absorption time depends on the bulk time (adaptive charge curve), so that the battery is optimally charged. If the 'fixed' charging characteristic is selected, the absorption time is fixed. For most batteries, a maximum absorption time of eight hours is suitable. If an extra high absorption voltage is selected for rapid charging (only possible for open, flooded batteries!), four hours is preferable. With DIP switches, a time of eight or four hours can be set. For the adaptive charge curve, this determines the maximum absorption time.

Storage voltage, Repeated Absorption Time, Absorption Repeat Interval

See User manual Section 2. Not adjustable with DIP switches.

Bulk Protection

When this setting is 'on', the bulk charging time is limited to 10 hours. A longer charging time could indicate a system error (e.g. a battery cell short-circuit). Not adjustable with DIP switches.



AC input current limit

These are the current limit settings for which PowerControl and PowerAssist come into operation.

PowerAssist setting range:

From 7,5A* to 50A for models with 50A transfer capacity

Factory setting: the maximum value (50A).

See Section 2, the book 'Energy Unlimited', or the many descriptions of this unique feature on our website www.victronenergy.com.

* Applies only when PowerAssist is enabled

UPS feature

If this setting is 'on' and AC on the input fails, the MultiPlus switches to inverter operation practically without interruption. The MultiPlus can therefore be used as an Uninterruptible Power Supply (UPS) for sensitive equipment such as computers or communication systems.

The output voltage of some small generator sets is too unstable and distorted for using this setting – the MultiPlus would continually switch to inverter operation. For this reason, the setting can be turned off. The MultiPlus will then respond less quickly to AC input voltage deviations. The switchover time to inverter operation is consequently slightly longer, but most equipment (most computers, clocks or household equipment) is not adversely impacted.

Recommendation: Turn the UPS feature off if the MultiPlus fails to synchronise, or continually switches back to inverter operation.

Dynamic current limiter

Intended for generators, the AC voltage being generated by means of a static inverter (so-called 'inverter' generators). In these generators, rpm is down-controlled if the load is low: this reduces noise, fuel consumption and pollution. A disadvantage is that the output voltage will drop severely or even completely fail in the event of a sudden load increase. More load can only be supplied after the engine is up to speed.

If this setting is 'on', the MultiPlus will start supplying extra power at a low generator output level and gradually allow the generator to supply more, until the set current limit is reached. This allows the generator engine to get up to speed.

This setting is also often used for 'classical' generators that respond slowly to sudden load variation.

WeakAC

Strong distortion of the input voltage can result in the charger hardly operating or not operating at all. If WeakAC is set, the charger will also accept a strongly distorted voltage, at the cost of greater distortion of the input current.

Recommendation: Turn WeakAC on if the charger is hardly charging or not charging at all (which is quite rare!). Also turn on the dynamic current limiter simultaneously, and reduce the maximum charging current to prevent overloading the generator if necessary.

Note: when WeakAC is on, the maximum charge current is reduced by approximately 20%.

Not adjustable with DIP switches.

BoostFactor

Change this setting only after consulting with Victron Energy or with an engineer trained by Victron Energy!

Not adjustable with DIP switches.

Three programmable relays

The MultiPlus is equipped with 3 programmable relays. The relays can be programmed for all kinds of other applications, for example as a starter relay for a generating set. The default setting of the relay in position I (see appendix A, upper right corner) is 'alarm'.

Not adjustable with DIP switches.

Auxiliary AC output (AC-out-2)

Besides the uninterruptable output, a second output (AC-out-2) is available that disconnects its load in the event of battery operation.

Example: an electric boiler or air conditioner that is allowed to operate only if the genset is running or shore power is available.

In case of battery operation, AC-out-2 is switched off immediately. After the AC supply has become available, AC-out-2 is reconnected with a delay of 2 minutes, this to allow a genset to stabilise prior to connecting a heavy load.

3.3 Configuration by computer

All settings can be changed by means of a computer or with a VE.Net panel (except for the multi-functional relay and the VirtualSwitch when using VE.Net).

The most common settings can be changed by means of DIP switches (see Section 3.5).

NOTE:

This manual is intended for products with firmware xxxx400 or higher (with x any number)

The firmware number can be found on the microprocessor, after removing the front panel.

It is possible to update older units, as long as that same 7 digit number starts with either 26 or 27. When it starts with 19 or 20 you have an old microprocessor and it is not possible to update to 400 or higher.

For changing settings with the computer, the following is required:

- VEConfigure3 software: can be downloaded free of charge at www.victronenergy.com.
- A MK3-USB (VE.Bus to USB) interface, and a RJ45 UTP cable.
Alternatively, the Interface MK2.2b (VE.Bus to RS232) and a RJ45 UTP cable can be used.

3.3.1 VE.Bus Quick Configure Setup

VE.Bus Quick Configure Setup is a software program with which systems with a maximum of three Multis (parallel or three phase operation) can be configured in a simple manner. VEConfigure3 forms part of this program.

The software can be downloaded free of charge at www.victronenergy.com.

3.3.2 VE.Bus System Configurator

For configuring advanced applications and/or systems with four or more Multis, **VE.Bus System Configurator** software must be used. The software can be downloaded free of charge at www.victronenergy.com. VEConfigure3 forms part of this program.

3.3.3 More software

Several other software tools are available:

- Assitants: to configure Multis and Quattros for particular applications (such as self-consumption applications).
- apps: to help managing and monitoring a system with a smart phone or tablet (see Support → Software on our website, ColorControl panel needed).
- VRM (Victron Remote Monitoring website): numerical and graphical display of system parameters and history (ColorControl or Venux GX needed).
- Remote VE Configure: to configure or change settings of a system remotely (ColorControl or Venus GX needed).
- The Multi/Quattro can also be used as a bidirectional inverter operating parallel to the grid, integrated into a customer designed system (PLC or other) that takes care of the control-loop and grid measurement, see http://www.victronenergy.com/live/system_integration:hub4_grid_parallel

3.4 Configuration with a VE.Net panel

To this end, a VE.Net panel and the VE.Net to VE.Bus converter is required.

With VE.Net all parameters are accessible, with the exception of the multi-functional relay and the VirtualSwitch.



3.5 Configuration with DIP switches

A number of settings can be changed using DIP switches (see appendix A, position M).

A number of settings can be changed using DIP switches (see appendix A, position M).

Note: When changing settings with DIP switches in a parallel or split-phase/3-phase system one should be aware that not all settings are relevant on all Multis. This because some settings will be dictated by the Master or Leader. Some settings are only relevant in the Master/Leader (ie they are not relevant in a slave or in a follower). Other settings are not relevant for slaves but are relevant for followers.

A note on used terminology:

A system in which more than one Multi is used to create a single AC phase is called a parallel system. In this case one of the Multis will control the whole phase, this one is called the master. The others, called slaves, will just listen to the master to determine their action.

It is also possible to create more AC phases (split-phase or 3-phase) with 2 or 3 Multis. In this case the Multi in phase L1 is called the Leader. The Multis in phase L2 (and L3 if available) will generate the same AC frequency but will follow L1 with a fixed phase shift. These Multis are called followers.

If more Multis are used per phase in a split-phase or 3-phase system (for instance 6 Multis used to build a 3-phase system with 2 Multis per phase) then the Leader of the system is also the Master of phase L1. The Followers in phase L2 and L3 will also take the Master role in phase L2 and L3. All others will be slaves.

Setting up parallel or split-phase/3-phase systems should be done by software, see paragraph 5.3.

TIP: If you don't want to bother about a Multi being a master/slave/follower then the easiest and most straight forward way is to set all settings identically on all Multis.

General procedure:

Turn the Multi on, preferably without load and without AC voltage on the input. The Multi will then operate in inverter mode.

Step 1: Set the DIP switches for:

- the required current limitation of the AC input (not relevant for slaves)
- AES (Automatic Economy Switch) (only relevant in systems with 1 Multi per phase)
- limitation of the charging current (only relevant for Master/Leader)

Press the 'Up' button for 2 seconds (**upper** button to the right of the DIP switches, see appendix A, position K) to store the settings after the required values have been set. You can now re-use the DIP switches to apply the remaining settings (step 2).

Step 2: other settings, set the dipswitches for:

- Charge voltages (only relevant for Master/Leader)
- Absorption time (only relevant for Master/Leader)
- Adaptive charging (only relevant for Master/Leader)
- Dynamic current limiter (not relevant for slaves)
- UPS function (not relevant for slaves)
- converter voltage (not relevant for slaves)
- converter frequency (only relevant for Master/Leader)

Press the 'Down' button for 2 seconds (**lower** button to the right of the DIP switches) to store the settings after the DIP switches have been set in the correct position. You can now leave the DIP switches in the selected positions, so that the 'other settings' can always be recovered.

Remarks:

- The DIP switch functions are described in 'top to bottom' order. Since the uppermost DIP switch has the highest number (8), descriptions start with the switch numbered 8.

For parallel or 3-phase mode, read the whole setting procedure and make a note of the required DIP switch settings before actually implementing them.

Detailed instruction:

3.5.1 Step 1

3.5.1.1 Current limitation AC input (default: 50A)

If the current demand (Multi load + battery charger) threatens to exceed the set current, the MultiPlus will first reduce its charging current (PowerControl), and subsequently supply additional power from the battery (PowerAssist), if needed.

The AC input current limit can be set to eight different values by means of DIP switches. With a Multi Control Panel, a variable current limit can be set for the AC input.

Procedure

The AC input current limit can be set using DIP switches ds8, ds7 and ds6 (default setting: 50A).

Procedure: set the DIP switches to the required value:

ds8	ds7	ds6	
off	off	off	= 6,3A
off	off	on	= 10A
off	on	off	= 12A
off	on	on	= 16A
on	off	off	= 20A
on	off	on	= 25A
on	on	off	= 30A
on	on	on	= 50A

Remark: Manufacturer-specified continuous power ratings for small generators are sometimes inclined to be rather optimistic. In that case, the current limit should be set to a much lower value than would otherwise be required on the basis of manufacturer-specified data.

5.5.1.2 AES (Automatic Economy Switch)

Procedure: set ds5 to the required value:

ds5	
off	= AES off
on	= AES on

Note: The AES option is only effective if the unit is used 'stand alone'.

5.5.1.3 Battery charge current limitation (default setting 75%)

For maximum battery life, a charge current of 10% to 20% of the capacity in Ah should be applied.

Example: optimal charge current of a 24V/500Ah battery bank: 50A to 100A.

The temperature sensor supplied automatically adjusts the charge voltage to the battery temperature.

If faster charging – and a subsequent higher current – is required:

- The temperature sensor supplied should always be fitted, since fast charging can lead to a considerable temperature rise of the battery bank. The charge voltage will be adapted to the higher temperature (i.e. lowered) by means of the temperature sensor.
- The bulk charge time will sometimes be so short that a fixed absorption time would be more satisfactory ('fixed' absorption time, see ds5, step 2).

Procedure

The battery charge current can be set in four steps, using DIP switches ds4 and ds3 (default setting: 75%).

ds4	ds3	
off	off	= 25%
off	on	= 50%
on	off	= 75%
on	on	= 100%

Note: when WeakAC is on, the maximum charge current is reduced from 100% to approximately 80%.

3.5.1.4 DIP switches ds2 and ds1 are not used during step 1.

IMPORTANT NOTE:

If the last 3 digits of the Multi firmware is in the 100 range (so the firmware number is xxxx1xx (with x any numer)) then ds1 & ds2 are used to set a Multi in stand-alone, parallel or three-phase. Please consult the appropriate manual.

Step 2: Exemplary settings

Example 1 is the factory setting (since factory settings are entered by computer, all DIP switches of a new product are set to 'off' and do not reflect the actual settings in the microprocessor.).

DS-8 Ch. voltage DS-7 Ch. voltage DS-6 Absorpt. time DS-5 Adaptive ch. DS-4 Dyn. Curr. limit DS-3 UPS function: DS-2 Voltage DS-1 Frequency	<input type="checkbox"/> off <input type="checkbox"/> on <input type="checkbox"/> on <input type="checkbox"/> on <input type="checkbox"/> off <input type="checkbox"/> on <input type="checkbox"/> on <input type="checkbox"/> on	DS-8 DS-7 DS-6 DS-5 DS-4 DS-3 DS-2 DS-1	<input type="checkbox"/> off <input type="checkbox"/> off <input type="checkbox"/> on <input type="checkbox"/> on <input type="checkbox"/> off <input type="checkbox"/> off <input type="checkbox"/> on <input type="checkbox"/> on	DS-8 DS-7 DS-6 DS-5 DS-4 DS-3 DS-2 DS-1	<input type="checkbox"/> on <input type="checkbox"/> on <input type="checkbox"/> off <input type="checkbox"/> on <input type="checkbox"/> off <input type="checkbox"/> on <input type="checkbox"/> off <input type="checkbox"/> off
Step 2 Example 1 (factory setting): 8, 7 GEL 14,4V 6 Absorption time: 8 hours 5 Adaptive charging: on 4 Dynamic current limit: off 3 UPS function: on 2 Voltage: 120V 1 Frequency: 50Hz	Step 2 Example 2: 8, 7 OPzV 14,1V 6 Abs. time: 8 h 5 Adaptive ch.: on 4 Dyn. Curr. limit: off 3 UPS function: off 2 Voltage: 120V 1 Frequency: 50Hz	Step 2 Example 3: 8, 7 AGM 14,7V 6 Abs. time: 8 h 5 Adaptive ch: on 4 Dyn. Curr. limit: on 3 UPS function: off 2 Voltage: 120V 1 Frequency: 50Hz	Step 2 Example 4: 8, 7 Tub.-plate 15V 6 Abs. time: 4 h 5 Fixed abs. time 4 Dyn. Curr. limit: off 3 UPS function: on 2 Voltage: 120V 1 Frequency: 60Hz		

To store the settings after the required values have been set: press the 'Down' button for 2 seconds (**lower** button to the right of the DIP switches). **The temperature and low-battery LEDs will flash to indicate acceptance of the settings.**

The DIP switches can be left in the selected positions, so that the 'other settings' can always be recovered.

4. Technical specifications

MultiPlus	12/3000/120-50 120V	24/3000/70-50 120V
PowerControl / PowerAssist	Yes	
AC input	Input voltage range: 95-140VAC; Input frequency: 45 – 65Hz; Power factor: 1	
Maximum feed through current	50	
Minimum AC supply current capacity for PowerAssist (A)	7,5	
INVERTER		
Input voltage range (V DC)	9,5 – 17	19 – 33
Output (1)	Output voltage: 120 VAC ± 2%	Frequency: 60 Hz ± 0,1%
Cont. output power at 25°C / 77°F (VA) (3)	3000	3000
Cont. output power at 25°C / 77°F (W)	2400	2400
Cont. output power at 40°C / 104°F (W)	2200	2200
Cont. output power at 65°C / 150°F (W)	1700	1700
Peak power (W)	6000	6000
Maximum efficiency (%)	93	94
Zero-load power (W)	20	20
Zero-load power in AES mode (W)	15	15
Zero-load power in Search mode (W)	8	10
Maximum output current	64A peak, 45Arms for 1 sec.	
CHARGER		
AC Input	Input voltage range: 95-140VAC	Input frequency: 45 – 65Hz
Charge voltage 'absorption' (V DC)	14,4	28,8
Charge voltage 'float' (V DC)	13,8	27,6
Storage mode (V DC)	13,2	26,4
Charge current house battery (A) (4)	120	70
Charge current starter battery (A)	4	
Battery temperature sensor	Yes	
GENERAL		
Auxiliary output	Max. 32A Switches off when no external AC source available	
Programmable relay (5)	Yes, 3x	
Protection (2)	a - g	
VE.Bus communication port	For parallel and three phase operation, remote monitoring and system integration	
General purpose comm. port	Yes, 2x	
Common Characteristics	Operating temp.: -40 to +65°C/ -40 - 150°F (fan assisted cooling) Humidity (non-condensing) : max 95%	
ENCLOSURE		
Common Characteristics	Material & Colour: aluminium (blue RAL 5012) Protection category: IP 21	
Battery-connection	M8 bolts (2 plus and 2 minus connections)	
120V AC-connections	Screw terminals 13mm ² (6 AWG)	
Weight (kg)	19	
Dimensions (h x w x d in mm)	362 x 258 x 218	
STANDARDS		
Safety	UL1741, UL458, EN 60335-1, EN 60335-2-29	
Emission / Immunity	EN 55014-1, EN 55014-2, EN 61000-3-3	
Automotive Directive	2004/104/EC	

1) Can be adjusted to 50Hz;

2) Protection

- a. Output short circuit
- b. Overload
- c. Battery voltage too high
- d. Battery voltage too low
- e. Temperature too high
- f. 120VAC on inverter output
- g. Input voltage ripple too high

3) Non linear load, crest factor 3:1

4) At 25°C ambient

5) Programmable relay which can be set for general alarm, DC undervoltage or genset start/stop function

1. INSTRUCCIONES DE SEGURIDAD IMPORTANTES - ¡GUÁRDELAS!

En general

Lea en primer lugar la documentación que acompaña al producto para familiarizarse con las indicaciones de seguridad y las instrucciones antes de utilizarlo.

Este producto se ha diseñado y comprobado de acuerdo con los estándares internacionales. El equipo debe utilizarse exclusivamente para la aplicación prevista.

Aviso - Estas instrucciones de servicio son para uso exclusivo de personal cualificado. Para reducir el riesgo de electrocución, no lleve a cabo ninguna revisión excepto las especificadas en las instrucciones de funcionamiento, a menos que esté cualificado para ello.

ADVERTENCIA: PELIGRO DE DESCARGA ELÉCTRICA

El producto se usa junto con una fuente de alimentación permanente (batería). Aunque el equipo esté apagado, puede producirse una tensión eléctrica peligrosa en los terminales de entrada y salida. Apague siempre la alimentación CA y desconecte la batería antes de realizar tareas de mantenimiento.

El producto no contiene piezas en su interior que puedan ser manipuladas por el usuario. No retire el panel frontal ni ponga el producto en funcionamiento si no están colocados todos los paneles. Las operaciones de mantenimiento deben ser realizadas por personal cualificado.

No utilice nunca el equipo en lugares donde puedan producirse explosiones de gas o polvo. Consulte las especificaciones suministradas por el fabricante de la batería para asegurarse de que puede utilizarse con este producto. Las instrucciones de seguridad del fabricante de la batería deben tenerse siempre en cuenta.

AVISO: no levante objetos pesados sin ayuda.

Instalación

Lea las instrucciones antes de comenzar la instalación.

Este producto es un dispositivo de clase de seguridad I (suministrado con terminal de puesta a tierra para seguridad). **Sus terminales de salida CA deben estar puestos a tierra continuamente por motivos de seguridad. Hay otro punto de puesta a tierra adicional en la parte exterior del producto.** Si se sospecha que la puesta a tierra está dañada, el equipo debe desconectarse y evitar que se pueda volver a poner en marcha de forma accidental; póngase en contacto con personal técnico cualificado.

Compruebe que los cables de conexión disponen de fusibles y disyuntores. No sustituya nunca un dispositivo de protección por un componente de otro tipo. Consulte en el manual las piezas correctas.

La instalación debe llevarse a cabo según las normas del Código Eléctrico Canadiense, Parte 1. El método de cableado deberá seguir las normas del Código Eléctrico Nacional, ANSI/NFPA 70.

Antes de encender el dispositivo compruebe si la fuente de alimentación cumple los requisitos de configuración del producto descritos en el manual.

Compruebe que el equipo se utiliza en las condiciones adecuadas de funcionamiento. No lo utilice en un ambiente húmedo o con polvo.

Compruebe que hay suficiente espacio alrededor del producto para su ventilación y que los orificios de ventilación no están tapados. Instale el producto en un entorno a prueba del calor. Compruebe que no haya productos químicos, piezas de plástico, cortinas u otros textiles, etc., en las inmediaciones del equipo.

Transporte y almacenamiento

Para transportar o almacenar el producto, asegúrese de que los cables de alimentación principal y de la batería estén desconectados.

No se aceptará ninguna responsabilidad por los daños producidos durante el transporte si el equipo no lleva su embalaje original.

Guarde el producto en un entorno seco, la temperatura de almacenamiento debe oscilar entre -20°C y 60°C .

Consulte el manual del fabricante de la batería para obtener información sobre el transporte, almacenamiento, recarga y eliminación de la batería.

2. Instalación



Este producto debe instalarlo exclusivamente un ingeniero eléctrico cualificado.

2.1 Ubicación

El producto debe instalarse en una zona seca y bien ventilada, tan cerca como sea posible de las baterías. Debe dejarse un espacio de al menos 10cm. alrededor del aparato para refrigeración.



Una temperatura ambiente demasiado alta tendrá como resultado:

- Una menor vida útil.
- Una menor corriente de carga.
- Una menor capacidad de pico, o que se apague el inversor.
- Nunca coloque el aparato directamente sobre las baterías.

MultiPlus puede montarse en la pared. Para su instalación, en la parte posterior de la carcasa hay dos agujeros y un gancho (ver apéndice G). El dispositivo puede colocarse horizontal o verticalmente. Para que la ventilación sea óptima es mejor colocarlo verticalmente.



La parte interior del producto debe quedar accesible tras la instalación.

Intente que la distancia entre el producto y la batería sea la menor posible para minimizar la pérdida de tensión por los cables.



Por motivos de seguridad, este producto debe instalarse en un entorno resistente al calor. Debe evitarse en su proximidad la presencia de productos químicos, componentes sintéticos, cortinas u otros textiles, etc.



Cada sistema requiere un método de desconexión de los circuitos CA y CC. Si el dispositivo de protección de sobrecorriente es un disyuntor, este también servirá para la desconexión. Si se utilizan fusibles, se deberá instalar interruptores de desconexión por separado entre la fuente de alimentación y los fusibles.



Para reducir el riesgo de incendio, no lo conecte a un centro de carga CA (panel disyuntor) que tenga circuitos derivados multicable.



PRECAUCIÓN – Para reducir el riesgo de lesiones, cargue solamente baterías recargables del tipo plomo-ácido o LIFEPO4. Otros tipos de baterías podrían explotar, causando daños y lesiones personales.



El uso de conectores no recomendados ni vendidos por el fabricante del dispositivo marino podría derivar en riesgo de incendio, electrocución o lesiones a personas.



AVISO – RIESGO DE GASES EXPLOSIVOS) TRABAJAR ALREDEDOR DE UNA BATERIA DE PLOMO ÁCIDO ES PELIGROSO.
LAS BATERÍAS GENERAN GASES EXPLOSIVOS DURANTE EL FUNCIONAMIENTO NORMAL DE LAS MISMAS. POR ESTE MOTIVO, ES DE LA MAYOR IMPORTANCIA QUE, CADA VEZ QUE SE DISPONGA A REVISAR EL DISPOSITIVO A PROXIMIDAD DE LA BATERÍA, LEA ESTE MANUAL Y SIGA SUS INSTRUCCIONES AL PIE DE LA LETRA..



PRECAUCIONES PERSONALES

- Debe siempre tener a alguien cerca para que venga en su ayuda cuando trabaje a proximidad de una batería de plomo.
- Tenga abundante agua fresca y jabón a mano en caso de contacto del ácido de la batería con la piel, la ropa o los ojos.
- Use gafas de protección e indumentaria de protección completas. Evite tocarse los ojos cuando trabaje cerca de una batería.
- En caso de que el ácido de la batería entre en contacto con su piel o su ropa, lávese inmediatamente con agua y jabón. En caso de que el ácido se introduzca en los ojos, enjuáguelos inmediatamente con agua fría corriente durante al menos 10 minutos y acuda al médico de inmediato.
- NUNCA fume o permita que se produzcan chispas o llamas en las inmediaciones de una batería o de un motor.

- Tenga especial cuidado de no dejar caer una herramienta metálica sobre la batería. Podría provocar chispas o cortocircuitar la batería u otras partes eléctricas que podrían provocar una explosión.
- Retire sus artículos metálicos personales como anillos, pulseras, collares y relojes al trabajar con una batería de plomo-ácido. Una batería de plomo-ácido puede producir una corriente de cortocircuito lo bastante alta como para fundir el metal de un anillo o similar, provocando quemaduras graves.
- NUNCA cargue una batería congelada.
- Si fuese necesario retirar la batería de la embarcación, siempre desconecte en primer lugar el terminal de masa de la batería. Asegúrese de que todos los accesorios de la embarcación están apagados, para no provocar un arco eléctrico.
- Asegúrese de que la zona alrededor de la batería esté bien ventilada. Limpie los terminales de la batería. Asegúrese de que la corrosión no entre en contacto con los ojos. Tenga en cuenta todas las precauciones específicas del fabricante de la batería, tales como retirar o no los tapones de las celdas al cargar y los ritmos recomendados de carga.
- Limpie los terminales de la batería. Asegúrese de que la corrosión no entre en contacto con los ojos.
- Tenga en cuenta todas las precauciones específicas del fabricante de la batería, tales como retirar o no los tapones de las celdas al cargar y los ritmos recomendados de carga.



UBICACIÓN DEL DISPOSITIVO MARINO

- Coloque el dispositivo marino lejos de la batería en un compartimento separado y bien ventilado.
- Nunca coloque el dispositivo marino encima de la batería; los gases que salen de la misma podrían corroerlo y dañarlo.
- Nunca permita que el ácido de la batería caiga sobre el dispositivo marino cuando lea la densidad o rellene la batería.
- No haga funcionar el dispositivo marino en una zona cerrada ni restrinja la ventilación en modo alguno.



PRECAUCIONES PARA LA CONEXIÓN CC

Conecte y desconecte las conexiones de salida CC sólo después de poner cualquier interruptor del dispositivo marino en Off y de retirar el cable CA de su enchufe o de abrir la desconexión CA.



LAS CONEXIONES EXTERNAS AL CARGADOR DEBERÁN CUMPLIR LA NORMATIVA DE LA GUARDIA COSTERA NORTEAMERICANA (33CFR183, SUBPARTADO I).



INSTRUCCIONES PARA LA PUESTA A TIERRA – Este dispositivo marino deberá conectarse a un sistema de cableado metálico permanente y puesto a tierra; o deberá añadirse un cable de puesta a tierra del equipo conectado al terminal de puesta a tierra de la unidad.

Las conexiones al dispositivo deberán cumplir todas las normativas y ordenanzas locales.

2.2 Conexión de los cables de batería

Para utilizar toda la capacidad del producto, deben utilizarse baterías con capacidad suficiente y cables de batería de sección adecuada. Los cables CC deben ser de cobre y temperatura nominal de 90°C (194°F) Ver tabla.

	12/3000/120	24/3000/70
Capacidad de batería recomendada (Ah)	400-1200	200-700
Corriente nominal	250A	125A
Fusible CC recomendado	400A	300A
Sección recomendada (para terminales + y -)	2x AWG 1/0	AWG 1/0

"2x" significa dos cables positivos y dos negativos.

Terminales de cable recomendados

tamaño	
AWG 1/0	Molex nº de pieza 19221-0240
AWG 2	Molex nº de pieza 19221-0233

Observación: La resistencia interna es el factor determinante al trabajar con baterías de poca capacidad. Por favor, consulte a su proveedor o las secciones relevantes de nuestro libro "Energy Unlimited", que puede descargarse de nuestro sitio Web.

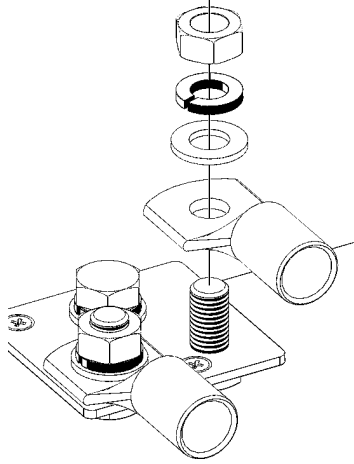
Procedimiento

Conecte los cables de batería de la manera siguiente:



Utilice una llave dinamométrica aislada para no cortocircuitar la batería.
Torsión máxima: 11 Nm.
Evite que los cables de la batería entren en contacto.

- Quite los cuatro tornillos de la parte frontal de la carcasa y retire el panel frontal.
- Conecte los cables de la batería: ver apéndice A.
- En primer se coloca el conector, después la arandela plana, la arandela de presión y la tuerca. Apriete bien las tuercas para que la resistencia de contacto sea mínima.



2.3 Conexión del cableado CA

El MultiPlus es un dispositivo de clase de seguridad I (suministrado con terminal de puesta a tierra para seguridad). **Los terminales de entrada y salida CA y/o la puesta a tierra de la parte exterior deben disponer de una toma de tierra permanente por motivos de seguridad.**



El MultiPlus dispone de un relé de puesta a tierra (relé H, ver apéndice B) que **conecta automáticamente la salida del neutro a la carcasa si no hay alimentación CA externa disponible**. Si hay alimentación CA externa, el relé de puesta a tierra H se abrirá antes de que el relé de seguridad de entrada se cierre. De esta forma se garantiza el funcionamiento correcto del disyuntor para las fugas a tierra que está conectado a la salida.

- En una instalación fija, una puesta a tierra ininterrumpida puede asegurarse mediante el cable de puesta a tierra de la entrada CA. En caso contrario, se deberá poner a tierra la carcasa.
- En una instalación móvil (por ejemplo con una toma de corriente de red), la interrupción de la conexión de la toma de puerto desconectará simultáneamente la conexión de puesta a tierra. En tal caso, la carcasa debe conectarse al chasis (del vehículo) o al casco o placa de toma de tierra (de la embarcación).

En el caso de los barcos, no se recomienda la conexión directa a la toma de puerto debido a la posible corrosión galvánica. La solución es utilizar un transformador aislante.



La unidad o sistema se proporciona con límites de disparo fijos y no deben agregarse por encima de 30 Kw en un único punto conexiones comunes.

Los bloques terminales se encuentran en el circuito impreso, ver apéndice A. El cable de toma de puerto o de red debe conectarse al Multi con un cable de cobre de 90°C (194°F) de tres hilos. Par de apriete mínimo 1.6Nm.

	AC-in	AC-Out-1	AC-OUT-2
Corriente nominal	50A	75A	25A
Fusible o disyuntor recomendado	50A	75A	32A
Tamaño de cable mínimo	AWG 6	AWG 6	AWG 10

- **- AC-in (ver apéndice A)**
El cable de entrada CA puede conectarse al bloque terminal "AC-in".
De izquierda a derecha: "PE" (tierra), "N" (neutro) y "L" (fase).
La entrada CA debe protegerse por medio de un fusible o de un disyuntor magnético de 50 A o menos, y el cable debe tener una sección suficiente. Si la alimentación CA tuviese una capacidad nominal menor, la capacidad del fusible o disyuntor magnético también deberá reducirse.
- **- AC-out-1 (ver apéndice A)**
El cable de salida CA puede conectarse directamente al bloque terminal "AC-out".
De izquierda a derecha: "PE" (tierra), "N" (neutro) y "L" (fase). El neutro de salida no está conectado a tierra.
Gracias a su función PowerAssist, el Multi puede añadir a la salida hasta 3 kVA (esto es, 3000 / 120 = 25A) en periodos de gran

demanda de potencia. Junto con una corriente de entrada máxima de 50A, significa que la salida puede suministrar hasta $50 + 25 = 75A$.

Debe incluirse un disyuntor para las fugas a tierra y un fusible o disyuntor capaz de soportar la carga esperada, en serie con la salida, y con una sección de cable adecuada. La potencia nominal máxima del fusible o disyuntor es de 75A.

- **AC-out-2** (ver apéndice A) Hay una segunda salida que desconecta su carga en caso de funcionamiento con batería. En estos terminales, se conectan equipos **que sólo funcionan si hay tensión CA en las entradas AC-in**, por ejemplo una caldera eléctrica o un aire acondicionado. La carga de AC-out-2 se desconecta inmediatamente cuando el MultiPlus cambia a funcionamiento con batería. Una vez que las entradas AC-in disponen de CA, la carga en AC-out-2 se volverá a conectar, en un lapso de aproximadamente 2 minutos. Esto permite que se establezca el generador. AC-out-2 puede soportar cargas de hasta 25A. Se debe conectar un disyuntor para las fugas a tierra y un fusible de 32A en serie con AC-out-2.

Nota: Las cargas conectadas a AC-out-2 serán tenidas en cuenta al configurar el límite de corriente del PowerControl / PowerAssist. Las cargas directamente conectadas a la fuente de alimentación CA **no** se incluirán en la configuración del límite de corriente del PowerControl / PowerAssist.

2.4 Opciones de conexión

Existen varias opciones de conexión distintas:

2.4.1 Segunda batería

El MultiPlus dispone de una conexión para cargar una batería de arranque. Para su conexión, ver Apéndice A.

2.4.2 Sonda de tensión

Para compensar las posibles pérdidas por cable durante la carga, se pueden conectar dos sondas con las que se mide la tensión directamente en la batería o en los puntos de distribución positivos y negativos. Utilice cable con una sección de 0,75 mm². Durante la carga de la batería, el MultiPlus compensará la caída de tensión en los cables CC hasta un máximo de 1 voltio (es decir, 1 V en la conexión positiva y 1 V en la negativa). Si la caída de tensión puede ser superior a 1 V, la corriente de carga se limita de forma que la caída de tensión sigue siendo de 1 V.

2.4.3 Sensor de temperatura

El sensor de temperatura suministrado con el producto puede utilizarse para cargas compensadas por temperatura (ver Anexo A). El sensor está aislado y debe montarse en la polaridad negativa de la batería.

2.4.4 Control remoto

El producto puede manejarse de forma remota de dos maneras:

- Con un conmutador externo (terminal de conexión H, ver apéndice A). Sólo funciona si el conmutador del MultiPlus está en "on".
- Con un panel Multi Control (conectado a una de las dos tomas RJ48 B, véase el apéndice A). Sólo funciona si el conmutador del MultiPlus está en "on".

Sólo se puede conectar un control remoto, es decir, o bien un conmutador o un panel Multi Control.

2.4.5. Relés programables

Estos relé puede programarse para cualquier tipo de aplicación, por ejemplo como relé de arranque para un grupo generador.

2.4.6 Puertos programables analógicos/digitales de entrada/salida

Estos puertos pueden usarse para distintos fines. Una aplicación sería la de comunicarse con el BMS o con una batería de iones de litio.

2.4.7 Salida de CA auxiliar (AC-out-2)

Además de la salida ininterrumpida, hay una segunda salida (AC-out-2) que desconecta su carga en caso de funcionamiento con batería. Por ejemplo: una caldera eléctrica o un aire acondicionado que sólo pueden funcionar si el generador está en marcha o hay toma de puerto.

En caso de funcionamiento con batería, AC-out-2 se desconectaría inmediatamente. Una vez dispongamos de nuevo de CA, AC-out-2 se volvería a conectar, con un lapso de unos 2 minutos que permite al generador estabilizarse antes de conectar una carga fuerte.

2.4.8 Conexión en paralelo

El MultiPlus puede conectarse en paralelo con varios dispositivos idénticos. Para ello se establece una conexión entre los dispositivos mediante cables RJ45 UTP estándar. El **sistema** (uno o más Multis más un panel de control opcional) tendrá que configurarse posteriormente (ver Sección 5).

En el caso de conectar las unidades MultiPlus en paralelo, deben cumplirse las siguientes condiciones:

- Un máximo de seis unidades conectadas en paralelo.
- Sólo deben conectarse en paralelo dispositivos idénticos.
- Los cables de conexión de CC a los dispositivos deben tener la misma longitud y sección.
- Si se utiliza un punto de distribución CC negativo y otro positivo, la sección de la conexión entre las baterías y el punto de distribución CC debe ser al menos igual a la suma de las secciones requeridas para las conexiones entre el punto de distribución y las unidades MultiPlus.
- Coloque las unidades MultiPlus cerca entre sí, pero deje al menos 10cm para ventilación por debajo, encima y junto a las unidades.
- Los cables UTP deben conectarse directamente desde una unidad a la otra (y al panel remoto). No se permiten cajas de conexión/distribución.
- El sensor de temperatura de la batería sólo tiene que conectarse a una unidad del sistema. Si hay que medir la temperatura de varias baterías, también se pueden conectar los sensores de otras unidades MultiPlus en el sistema (con un máximo de un sensor por MultiPlus). La compensación de temperatura durante la carga de la batería responde al sensor que indique la máxima temperatura.
- El sensor de tensión debe conectarse al maestro (ver Sección 5.5.1.4).
- Sólo puede conectarse al **sistema** un medio de control remoto (panel o conmutador).

2.4.9 Funcionamiento trifásico

El MultiPlus también puede utilizarse en una configuración trifásica en "i" griega (Y). Para ello, se hace una conexión entre los dispositivos con cables UTP RJ45 estándar (igual que para el funcionamiento en paralelo). El **sistema** (Multis más un panel de control opcional) tendrá que configurarse posteriormente (ver Sección 3).

Requisitos previos: ver Sección 4.4.8.

Nota: El MultiPlus no es adecuado para una configuración trifásica delta (Δ).

3. Configuración



- Este producto debe modificarlo exclusivamente un ingeniero eléctrico cualificado.
- Lea las instrucciones atentamente antes de implementar los cambios.
- Durante la configuración del cargador, debe retirarse la entrada CA.

3.1 Valores estándar: listo para usar

El MultiPlus se entrega con los valores estándar de fábrica. Por lo general, estos valores son adecuados para el funcionamiento de una sola unidad.

Aviso: ¡Puede que la tensión estándar de carga de la batería no sea adecuada para sus baterías! ¡Consulte la documentación del fabricante o al proveedor de la batería!

Valores estándar de fábrica del MultiPlus

Frecuencia del inversor	60Hz
Rango de frecuencia de entrada	45 - 65Hz
Rango de tensión de entrada	94 - 143VCA
Tensión del inversor	120VCA
Autónomo/Paralelo/Trifásico	autónomo
AES (conmutador de ahorro automático)	off
Relé de puesta a tierra	on
Cargador on/off	on
Curva de carga de la batería	variable de cuatro etapas con modo BatterySafe
Corriente de carga	75% de la corriente de carga máxima
Tipo de batería	Victron Gel Deep Discharge (también adecuada para Victron AGM Deep Discharge)
Carga con equalización automática	off
Tensión de absorción	14,4 / 28,8 / 57,6V
Tiempo de absorción	hasta 8 horas (según el tiempo de carga inicial)
Tensión de flotación	13,8 / 27,6 / 55,2V
Tensión de almacenamiento	13,2 / 26,4 / 52,8 V (no ajustable)
Tiempo de absorción repetida	1 hora
Intervalo de repetición de absorción	7 días
Protección de carga inicial	on
Límite de corriente de entrada CA	50A (= límite de corriente ajustable para las funciones PowerControl y PowerAssist)
Función SAI	on
Limitador de corriente dinámico	off
WeakAC	off
BoostFactor	2
Relé programable	función de alarma
PowerAssist	on

3.2 Explicación de los ajustes

A continuación se describen brevemente los ajustes que necesitan explicación. Para más información consulte la ayuda en pantalla de los programas de configuración de software (ver Sección 3.3).

Frecuencia del inversor

Frecuencia de salida si no hay CA en la entrada.
Ajustabilidad: 50Hz; 60Hz

Rango de frecuencia de entrada

Rango de frecuencia de entrada aceptado por el MultiPlus. El MultiPlus se sincroniza dentro de este rango con la frecuencia CA de entrada. La frecuencia de salida es entonces igual a la frecuencia de entrada.
Ajustabilidad: 45 – 65Hz; 45 – 55Hz; 55 – 65Hz

Rango de tensión de entrada

Rango de tensión aceptado por MultiPlus. El MultiPlus se sincroniza dentro de este rango con la tensión CA de entrada. La tensión de salida es entonces igual a la tensión de entrada.
Ajustabilidad: Límite inferior: 94 - 120V
Límite superior: 120 - 143V

Nota: la configuración mínima estándar de 94V está pensada para su conexión a una red eléctrica con poca potencia, o a un generador con una salida CA inestable. Esta configuración podría provocar un apagón del sistema al conectarlo a un “generador CA síncrono sin escobillas, autoexcitado, regulado por tensión externa” (generador AVR síncrono). La mayoría de los generadores de 10kVA o más son generadores AVR síncronos. El apagón se inicia cuando se detiene el generador y baja de revoluciones, mientras el AVR “intenta” simultáneamente mantener la tensión de salida del generador a 120V.

La solución es incrementar el límite inferior a 110 VCA (la salida de los generadores AVR es generalmente muy estable), o desconectar el(los) Multi(s) del generador cuando se oye la señal de parada del generador (con la ayuda de un contactor CA instalado en serie con el generador).

Tensión del inversor

Tensión de salida de MultiPlus funcionando con batería.
Ajustabilidad: 95 – 128V

Funcionamiento autónomo/paralelo/ajuste bi-trifásico

Con varios dispositivos se puede:

- aumentar la potencia total del inversor (varios dispositivos en paralelo)
- crear un sistema de fase dividida por superposición (sólo para unidades MultiPlus con tensión de salida de 120 V)
- Crear un sistema de fase dividida con un autotransformador por separado: ver la ficha técnica y el manual del autotransformador VE
- crear un sistema trifásico.

Los ajustes del producto estándar son para funcionamiento autónomo. Para un funcionamiento en paralelo, trifásico o de fase dividida, ver secciones 3.3 / 3.4 y 3.5.

AES (conmutador de ahorro automático)

Si este parámetro está activado, el consumo de energía en funcionamiento sin carga y con carga baja disminuye aproximadamente un 20%, "estrechando" ligeramente la tensión sinusoidal. Sólo aplicable para configuración autónoma.

Modo de búsqueda

Además del modo AES, también se puede seleccionar el **modo de búsqueda** (sólo mediante el VEConfigure).

Si el modo de búsqueda está activado, el consumo en funcionamiento sin carga disminuye aproximadamente un 70%. En este modo el MutiPlus, cuando funciona en modo inversor, se apaga si no hay carga, o si hay muy poca, y se vuelve a conectar cada dos segundos durante un breve periodo de tiempo. Si la corriente de salida excede un nivel preestablecido, el inversor seguirá funcionando. En caso contrario, el inversor volverá a apagarse.

Los niveles de carga "shut down" (apagar) y "remain on" (permanecer encendido) del Modo de Búsqueda pueden configurarse con el VEConfigure.

Los ajustes estándar son:

Apagar: 40 Vatios (carga lineal)

Encender: 100 Vatios (carga lineal)

No ajustable con conmutadores DIP. Sólo aplicable para configuración autónoma.

Relé de puesta a tierra (véase el apéndice B)

Con este relé (H), el conductor neutro de la salida CA se pone a tierra en el chasis cuando el relé de seguridad de retroalimentación está abierto. Esto garantiza un funcionamiento correcto de los disyuntor para las fugas a tierra en la salida.

- Si se necesita una salida sin puesta a tierra durante el funcionamiento del inversor, esta función debe desactivarse, ver apéndice A.
No ajustable con conmutadores DIP.
- Sólo modelos con una capacidad de transferencia de 50A: si fuese necesario, se puede conectar un relé de puesta a tierra externo (para un sistema de fase dividida con un autotransformador por separado).
Ver apéndice A.

Curva de carga de la batería

El valor estándar es "Variable de cuatro fases con modo BatterySafe". Ver descripción en el Manual de usuario, sección 2.

Esta es la mejor característica de carga. Consulte las demás características en la ayuda en pantalla de los programas de configuración del software.

El modo "fijo" puede seleccionarse con los conmutadores DIP.

Tipo de batería

El valor estándar es el más adecuado para Victron Gel Deep Discharge, Gel Exide A200, y baterías estacionarias de placa tubular (OPzS). Este valor también se puede utilizar para muchas otras baterías: por ejemplo, Victron AGM Deep Discharge y otras baterías AGM, y muchos tipos de baterías abiertas de placa plana. Con los conmutadores DIP pueden fijarse hasta cuatro tensiones de carga. Con el VEConfigure la curva de carga puede ajustarse para cualquier tipo de batería (baterías de Níquel Cadmio o de Litio-Ion).

Carga de ecualización automática

Este ajuste está pensado para baterías de tracción de placa tubular inundadas o baterías OPzS. Durante la absorción, la tensión límite se incrementa a 2,83 V/celda (34 V para una batería de 24 V) una vez que la corriente de carga haya bajado a menos del 10% de la corriente máxima establecida.

No ajustable con conmutadores DIP.

Ver "curva de carga para baterías de tracción de placa tubular" en VEConfigure.

Tiempo de absorción

El tiempo de absorción depende del tiempo inicial (característica de carga variable) para que la batería se cargue de forma óptima. Si se selecciona la característica de carga "fija", el tiempo de absorción será fijo. Para la mayoría de las baterías un tiempo de absorción máximo de ocho horas resulta adecuado. Si se selecciona mayor tensión de absorción para carga rápida (sólo posible con baterías abiertas inundadas), es preferible cuatro horas. Con los conmutadores DIP se puede fijar un tiempo de ocho o cuatro horas. Para la curva de carga variable, esto determina el tiempo máximo de absorción.

Tensión de almacenamiento, tiempo de repetición de absorción, intervalo de repetición de absorción

Ver Manual de usuario, sección 2. No ajustable con conmutadores DIP.

Protección de carga inicial

Cuando este parámetro está "on" (activado), el tiempo de carga inicial se limita a 10 horas. Un tiempo de carga mayor podría indicar un error del sistema (p. ej., un cortocircuito de celda de batería). No ajustable con conmutadores DIP.

Límite de corriente CA de entrada

Son los ajustes de limitación de corriente en que se ponen en funcionamiento PowerControl y PowerAssist.

Rango de ajuste del PowerAssist:

De 7,5* a 50A para modelos con una capacidad de transferencia de 50A

Ajuste de fábrica: valor máximo (50A).

Ver la Sección 2, el libro "Energy Unlimited", o las numerosas descripciones de esta exclusiva función en nuestro sitio web www.victronenergy.com.

* Se aplica solo cuando PowerAssist está habilitado

Función SAI

Si este ajuste está "on" (activado) y la CA de entrada falla, MultiPlus pasa a funcionamiento de inversor prácticamente sin interrupción. Por lo tanto, el MultiPlus puede utilizarse como Sistema de Alimentación Ininterrumpido (SAI) para equipos sensibles, como ordenadores o sistemas de comunicación.

La tensión de salida para algunos grupos generadores pequeños es demasiado inestable y distorsionada para usar este ajuste; MultiPlus conmutaría a funcionamiento de inversor continuamente. Por este motivo, este ajuste puede desactivarse. MultiPlus respondería entonces con menos rapidez a las fluctuaciones de la tensión de entrada. El tiempo de conmutación a funcionamiento en modo inversor es por tanto algo mayor, pero la mayoría de los equipos (ordenadores, relojes o electrodomésticos) no se ven afectados negativamente.

Recomendación: Desactive la función SAI si MultiPlus no se sincroniza o pasa continuamente a funcionamiento de inversor.

Limitador de corriente dinámico

Pensado para generadores, la tensión AC generada mediante un inversor estático (denominado generador "inversor"). En estos generadores, las rpm se limitan si la carga es baja: de esta forma se reduce el ruido, el consumo de combustible y la contaminación. Una desventaja es que la tensión de salida caerá enormemente o incluso fallará completamente en caso de un aumento súbito de la carga. Sólo puede suministrarse más carga después de que el motor alcance la velocidad normal.

Si este ajuste está "on" (activado), MultiPlus empezará a suministrar energía a un nivel de salida de generador bajo y gradualmente permitirá al generador suministrar más, hasta que alcance el límite de corriente establecido. Esto permite al motor del generador alcanzar su régimen normal.

Este parámetro también se utiliza para generadores "clásicos" de respuesta lenta a una variación súbita de la carga.

WeakAC (CA débil)

Una distorsión fuerte de la tensión de entrada puede tener como resultado que el cargador apenas funcione o no funcione en absoluto. Si se activa WeakAC, el cargador también aceptará una tensión muy distorsionada a costa de una mayor distorsión de la corriente de entrada.

Recomendación: Conecte WeakAC si el cargador no carga apenas o en absoluto (lo que es bastante raro). Conecte al mismo tiempo el limitador de corriente dinámico y reduzca la corriente de carga máxima para evitar la sobrecarga del generador si fuese necesario.

Nota: cuando WeakAC está activado, la corriente de carga máxima se reduce aproximadamente un 20%.

No ajustable con conmutadores DIP.

BoostFactor

¡Cambie este ajuste sólo después de consultar a Victron Energy o a un ingeniero cualificado por Victron Energy!

No ajustable con conmutadores DIP.

Tres relés programables

El MultiPlus dispone de 3 relés programables. Estos relé puede programarse para cualquier tipo de aplicación, por ejemplo como relé de arranque para un grupo generador. Por defecto, el relé de la posición I (ver apéndice A, esquina superior derecha) está en "alarma". No ajustable con conmutadores DIP.

Salida de CA auxiliar (AC-out-2)

Además de la salida ininterrumpida, hay una segunda salida (AC-out-2) que desconecta su carga en caso de funcionamiento con batería. Por ejemplo: una caldera eléctrica o un aire acondicionado que sólo pueden funcionar si el generador está en marcha o hay toma de puerto.

En caso de funcionamiento con batería, AC-out-2 se desconectaría inmediatamente. Una vez dispongamos de nuevo de CA, AC-out-2 se volvería a conectar, con un lapso de unos 2 minutos que permite al generador estabilizarse antes de conectar una carga fuerte.

3.3 Configuración por ordenador

Todos los valores pueden cambiarse con un ordenador o un panel VE.Net (excepto el relé multifuncional y el VirtualSwitch cuando se utiliza VE.Net).

Los ajustes más habituales pueden cambiarse mediante conmutadores DIP (ver Sección 3.5).

NOTA:

Este manual es para productos con firmware xxxx400 o superior (siendo x cualquier número)

El firmware puede encontrarse en el microprocesador, una vez retirado el panel frontal.

Es posible actualizar unidades más antiguas, siempre y cuando el mismo número de 7 dígitos empiece por 26 ó 27. Si empezara por 19 ó 20 sería un microprocesador antiguo y no sería posible actualizarlo a 400 o superior.

Para cambiar los parámetros con el ordenador, se necesita lo siguiente:

- Software VEConfigure3, que puede descargarse gratuitamente en www.victronenergy.com.
 - Un interfaz USB MK3 (VE.Bus a USB) y un cable RJ45 UTP.
- Como alternativa, se puede usar la interfaz MK2.2b (VE.Bus a RS232) y un cable RJ45 UTP.

3.3.1 Configuración rápida del VE.Bus

El **VE.Bus Quick Configure Setup** es un programa de *software* con el que los sistemas con un máximo de tres Multis (funcionamiento en paralelo o trifásico) pueden configurarse de forma sencilla. El VEConfigure3 forma parte de este programa.

El *software* puede descargarse gratuitamente en www.victronenergy.com.

3.3.2 VE.Bus System Configurator

Para configurar aplicaciones avanzadas y/o sistemas con cuatro o más Multis, debe utilizarse el *software* **VE.Bus System Configurator**. El *software* puede descargarse gratuitamente en www.victronenergy.com. El VEConfigure3 forma parte de este programa.

3.3.3 Más software

Hay otras herramientas de software disponibles:

- Asistentes: para configurar Multis y Quattros para aplicaciones concretas (como aplicaciones de autoconsumo).
- apps: que ayudan a gestionar y controlar un sistema a través de un smartphone o tableta (ver Asistencia → Descargas en nuestro sitio web - se necesita un panel ColorControl).
- VRM (página web Victron Remote Monitoring): que muestra con gráficos y cifras los parámetros y el historial de su sistema (se necesita un panel ColorControl o Venus GX).
- Remote VE Configure: para configurar o cambiar los ajustes de un sistema de forma remota (se necesita un ColorControl o un Venus GX).
- El Multi/Quattro también puede utilizarse como inversor bidireccional funcionando en paralelo a la red, integrado en un sistema personalizado (PLC u otro) que se ocupa del bucle de control y de la medición de la red, consulte http://www.victronenergy.com/live/system_integration:hub4_grid_parallel

3.4 Configuración por medio del panel VE.Net

Se necesita un panel VE.Net y un convertidor VE.Net a VE.Bus.

Con VE.Net puede acceder a todos los parámetros, con la excepción del relé multifuncional y el VirtualSwitch.

3.5 Configuración con conmutadores DIP

Mediante conmutadores DIP se puede modificar una serie de ajustes (ver Apéndice A, punto M).

Mediante conmutadores DIP se puede modificar una serie de ajustes (ver Apéndice A, punto M).

Nota: Al modificar ajustes con conmutadores DIP en un sistema conectado en paralelo o de fase dividida/trifásico se debe tener en cuenta que no todos los ajustes son relevantes en todos los Multis. Esto es debido a que algunos ajustes serán dictados por el maestro o líder.

Algunos ajustes sólo son relevantes en el maestro/líder (es decir, no son relevantes en un esclavo o seguidor). Otros ajustes no son relevantes para esclavos, pero lo son para seguidores.

Una nota sobre la terminología empleada:

Un sistema en el que se utiliza más de un Multi para crear una única fase CA se llama un sistema paralelo. En este caso, uno de los Multis controlará la totalidad de la fase; a este se le llama maestro. Los demás, llamados esclavos, sólo escucharán al maestro para determinar su actuación.

También es posible crear más fases CA (fase dividida o trifásico) con 2 ó 3 Multis. En este caso el Multi de la fase L1 se llama líder. Los Multis en la fase L2 (y L3 en su caso) generarán la misma frecuencia CA pero seguirán a L1 con un cambio de fase fija. Estos Multis se llaman seguidores.

Si se utilizan más Multis por fase en un sistema de fase dividida o trifásico (por ejemplo 6 Multis utilizados para crear un sistema trifásico con 2 Multis por fase), entonces el líder del sistema también es el maestro de la fase L1. Los seguidores en las fases L2 y L3 también asumirán el papel de maestros en las fases L2 y L3. Todos los demás serán esclavos.

Crear sistemas en paralelo o de fase dividida/trifásicos debe hacerse con software, ver párrafo 5.3.

CONSEJO: Si no se quiere complicar con que si un Multi es un maestro/esclavo/seguidor, lo forma más fácil y directa es configurar todos los ajustes de forma idéntica en todos los Multis.

Procedimiento general:

Ponga en marcha el Multi, preferiblemente sin ninguna carga y sin tensión CA en la entrada. El Multi funcionará en modo inversor.

Paso 1: Ajuste los conmutadores DIP para:

- limitar la corriente en la entrada CA (no relevante para esclavos).
- AES (conmutador de ahorro automático) (sólo relevante en sistemas con 1 Multi por fase)
- limitar la corriente de carga (sólo relevante para maestro/líder)

Pulse el botón 'Up' durante 2 segundos (el botón **superior** a la derecha de los conmutadores DIP, ver Apéndice A, punto K) para guardar los cambios realizados. Ahora puede volver a utilizar los conmutadores DIP para aplicar los ajustes restantes (Paso 2).

Paso 2: otros ajustes, use los conmutadores DIP para:

- Tensiones de carga (sólo relevante para maestro/líder)
- Tiempo de absorción (sólo relevante para maestro/líder)
- Carga variable (sólo relevante para maestro/líder)
- Limitador de corriente dinámico (no relevante para esclavos)
- Función SAI (no relevante para esclavos)
- Tensión del convertidor (no relevante para esclavos)
- Frecuencia del convertidor (sólo relevante para maestro/líder)

Pulse el botón "Down" (abajo) durante 2 segundos (el botón **inferior** a la derecha de los conmutadores DIP) para guardar los cambios una vez los haya puesto en la posición correcta. Puede dejar los conmutadores DIP en las posiciones seleccionadas, de manera que los "otros valores" siempre puedan recuperarse.

Observaciones:

- Las funciones de los conmutadores DIP se describen por orden descendente. Puesto que el conmutador DIP superior tiene el número mayor (8), las descripciones comienzan con el conmutador número 8.

Para modo paralelo o trifásico, lea todo el procedimiento de configuración y anote los valores de los conmutadores DIP antes de implementarlos.

Instrucciones detalladas:

3.5.1 Paso 1

3.5.1.1 Limitación de la corriente en la entrada CA (por defecto: 50A)

Si la demanda de corriente (carga de Multi + cargador de batería) amenaza con superar la corriente establecida, MultiPlus reducirá en primer lugar su corriente de carga (PowerControl), y después suministrará energía adicional de la batería (PowerAssist), en caso necesario.

El límite de corriente CA de entrada puede fijarse en ocho valores diferentes mediante los conmutadores DIP.

Con el panel Multi Control puede fijarse un límite de corriente variable para la entrada CA.

Procedimiento

El límite actual de corriente CA de entrada puede fijarse con los conmutadores DIP ds8, ds7 y ds6 (valor predeterminado: 50A)

Procedimiento: ajustar los conmutadores DIP al valor requerido:

ds8	ds7	ds6	
off	off	off	= 6,3A
off	off	on	= 10A
off	on	off	= 12A
off	on	on	= 16A
on	off	off	= 20A
on	off	on	= 25A
on	on	off	= 30A
on	on	on	= 50A

Observación: La potencia nominal continua que especifican los fabricantes de pequeños generadores a veces suele pecar de optimista. En tal caso, el límite de corriente debe establecerse en un valor mucho menor del necesario de acuerdo con las especificaciones del fabricante.

5.5.1.2 AES (Automatic Economy Switch – conmutador de ahorro automático)

Procedimiento: ajustar ds5 al valor deseado:

ds5	
off	= AES desactivado
on	= AES activado

Nota: La opción AES sólo es eficaz si la unidad se utiliza en modo autónomo.

5.5.1.3 Limitación de la corriente de carga de la batería (valor predeterminado 75%)

Para la máxima duración de la batería debe aplicarse una corriente de carga de entre un 10 y un 20% de la capacidad en Ah.

Ejemplo: corriente de carga óptima para una bancada de baterías de 24V/500Ah. 50A a 100A.

El sensor de temperatura suministrado automáticamente ajusta la tensión de carga a la temperatura de batería.

Si la carga es rápida y se necesita una corriente mayor:

- El sensor de temperatura suministrado debe ajustarse siempre en la batería, ya que la carga rápida puede llevar a un incremento de temperatura considerable de la bancada de baterías. La tensión de carga se adaptará a la temperatura más alta (es decir, reducida) mediante el sensor de temperatura.
- El tiempo de carga inicial será a veces tan corto que un tiempo de absorción fijo será más satisfactorio (tiempo de absorción "fijo", ver ds5, fase 2).

Procedimiento

La corriente de carga de la batería puede establecerse en cuatro fases, usando los conmutadores DIP ds4 y ds3 (valor predeterminado: 75%).

ds4	ds3	
off	off	= 25%
off	on	= 50%
on	off	= 75%
on	on	= 100%

Nota: cuando WeakAC está activado, la corriente de carga máxima se reduce del 100% a aproximadamente el 80%.

3.5.1.4 Los conmutadores DIP ds2 y ds1 no se usan en el paso 1.**NOTA IMPORTANTE:**

Si los 3 últimos dígitos del firmware del Multi están en el rango de la centena (número de firmware xxxx1xx (siendo x cualquier número)), entonces ds1 y ds2 se utilizan para configurar el Multi como autónomo, paralelo o trifásico. Por favor consulte el manual correspondiente.

5.1.5 Ejemplos

ejemplos de ajustes:

DS-8 entrada CA DS-7 entrada CA DS-6 entrada CA DS-5 AES DS-4 Corr. carga DS-3 Corr. carga DS-2 Modo autónomo DS-1 Modo autónomo	<input type="checkbox"/> on <input type="checkbox"/> on <input type="checkbox"/> on <input type="checkbox"/> off <input type="checkbox"/> on <input type="checkbox"/> off <input type="checkbox"/> off <input type="checkbox"/> off	DS-8 DS-7 DS-6 DS-5 DS-4 DS-3 DS-2 DS-1	<input type="checkbox"/> on <input type="checkbox"/> on <input type="checkbox"/> on <input type="checkbox"/> off <input type="checkbox"/> on <input type="checkbox"/> on <input type="checkbox"/> off <input type="checkbox"/> off	DS-8 DS-7 DS-6 DS-5 DS-4 DS-3 DS-2 DS-1	<input type="checkbox"/> off <input type="checkbox"/> on <input type="checkbox"/> on <input type="checkbox"/> off <input type="checkbox"/> on <input type="checkbox"/> on <input type="checkbox"/> off <input type="checkbox"/> off	DS-8 DS-7 DS-6 DS-5 DS-4 DS-3 DS-2 DS-1	<input type="checkbox"/> on <input type="checkbox"/> on <input type="checkbox"/> off <input type="checkbox"/> on <input type="checkbox"/> off <input type="checkbox"/> on <input type="checkbox"/> off <input type="checkbox"/> off
Paso 1, autónomo Ejemplo 1 (valores de fábrica): 8, 7, 6 AC-in: 50A 5 AES: off 4, 3 Corriente de carga: 75% 2, 1 Modo autónomo	Paso 1, autónomo Ejemplo 2: 8, 7, 6 AC-in: 50A 5 AES: off 4, 3 Carga: 100% 2, 1 Autónomo	Paso 1, autónomo Ejemplo 3: 8, 7, 6 AC-in: 16A 5 AES: off 4, 3 Carga: 100% 2, 1 Autónomo	Paso 1, autónomo Ejemplo 4: 8, 7, 6 AC-in: 30A 5 AES: on 4, 3 Carga: 50% 2, 1 Autónomo				

Para guardar los ajustes una vez configurados los valores requeridos: pulse el botón "Up" durante 2 segundos (el botón superior a la derecha de los conmutadores DIP, ver Apéndice A, punto J). **Los LED de sobrecarga y batería baja parpadearán para indicar la aceptación de estos valores.**

Recomendamos anotar estos valores y guardar la información en un lugar seguro. Ahora se pueden realizar los ajustes restantes con los conmutadores DIP (Paso 2).

3.5.2 Paso 2 Otros ajustes

Los demás ajustes no son aplicables (na) para los esclavos.

Algunos de los ajustes restantes no son relevantes para los seguidores (L2, L3). El líder L1 impone estos valores a todo el sistema. Si un ajuste no es relevante para los dispositivos L2, L3, se indicará explícitamente.

ds8-ds7: Ajuste de tensiones de carga (no relevante para L2, L3)

ds8-ds7	Absorción tensión	Flotación tensión	Almacenamiento tensión	Adecuado para
off off	14,1 28,2 56,4	13,8 27,6 55,2	13,2 26,4 52,8	Gel Victron Long Life (OPzV) Gel Exide A600 (OPzV) Gel MK battery
off on	14,4 28,8 57,6	13,8 27,6 55,2	13,2 26,4 52,8	Gel Victron Deep Discharge Gel Exide A200 AGM Victron Deep Discharge Placa tubular estacionaria (OPzS)
on off	14,7 29,4 58,8	13,8 27,6 55,2	13,2 26,4 52,8	AGM Victron Deep Discharge Baterías de tracción de placa tubular en modo carga semilenta AGM Placa en espiral
on on	15,0 30,0 60,0	13,8 27,6 55,2	13,2 26,4 52,8	Baterías de tracción de placa tubular u OPzS en modo cíclico

ds6: tiempo de absorción de 8 ó 4 (n/a para L2, L3)

on = 8 horas

off = 4 horas

ds5: característica de carga variable (n/a para L2, L3)

on = activa

off = inactiva (inactiva = tiempo de absorción fijo)

ds4: limitador de corriente dinámico

on = activo

off = inactivo

ds3: función SAI

on = activa

off = inactiva

ds2: tensión del convertidor

on = 115V

off = 120V

ds1: frecuencia del convertidor (n/a para L2, L3)

on = 50Hz

off = 60Hz

(el rango amplio de frecuencias de entrada (45-55 Hz) está en "on" por defecto)

Nota:

- Si "Algoritmo de carga variable" está "on", ds6 ajusta el tiempo máximo de absorción en 8 horas o 4 horas.
- Si "Algoritmo de carga variable" está "off", ds6 ajusta el tiempo de absorción en 8 horas o 4 horas (fijo).

Paso 2: Ejemplos de ajustes

El ejemplo 1 muestra los valores de fábrica (puesto que estos valores se introducen por ordenador, todos los conmutadores DIP de un producto nuevo están desactivados ("off") y no reflejan los ajustes reales del microprocesador).

DS-8 Tens. carga DS-7 Tens. carga DS-6 Tiempo absor. DS-5 Carga variable DS-4 Lím. corr dinám DS-3 Función SAI: DS-2 Tensión: DS-1 Frecuencia:	<input type="checkbox"/> off <input type="checkbox"/> on <input type="checkbox"/> on <input type="checkbox"/> on <input type="checkbox"/> off <input type="checkbox"/> on <input type="checkbox"/> on <input type="checkbox"/> on	DS-8 <input type="checkbox"/> off DS-7 <input type="checkbox"/> off DS-6 <input type="checkbox"/> on DS-5 <input type="checkbox"/> on DS-4 <input type="checkbox"/> off DS-3 <input type="checkbox"/> off DS-2 <input type="checkbox"/> on DS-1 <input type="checkbox"/> on	DS-8 <input type="checkbox"/> on DS-7 <input type="checkbox"/> off DS-6 <input type="checkbox"/> on DS-5 <input type="checkbox"/> on DS-4 <input type="checkbox"/> on DS-3 <input type="checkbox"/> off DS-2 <input type="checkbox"/> off DS-1 <input type="checkbox"/> on	DS-8 <input type="checkbox"/> on DS-7 <input type="checkbox"/> on DS-6 <input type="checkbox"/> off DS-5 <input type="checkbox"/> off DS-4 <input type="checkbox"/> off DS-3 <input type="checkbox"/> on DS-2 <input type="checkbox"/> off DS-1 <input type="checkbox"/> off
Paso 2 Ejemplo 1 (valores de fábrica): 8, 7 GEL 14,4V 6 Tiempo de absorción: 8 horas 5 Carga variable: on 4 Limitador de corriente dinámico: off 3 Función SAI: on 2 Tensión: 120V 1 Frecuencia: 50Hz	Paso 2 Ejemplo 2: 8, 7 OPzV 14,1V 6 Tiempo abs.: 8 h 5 Carga variable: on 4 Límite corr dinámico: off 3 Función SAI: off 2 Tensión: 120V 1 Frecuencia: 50Hz	Paso 2 Ejemplo 3: 8, 7 AGM 14,7V 6 Tiempo abs.: 8 h 5 Carga variable: on 4 Límite corr dinámico: on 3 Función SAI: off 2 Tensión: 120V 1 Frecuencia: 50Hz	Paso 2 Ejemplo 4: 8, 7 6 Tiempo abs.: 4 h 5 Tiempo abs. fijo 4 Límite corr dinámico: off 3 Función SAI: on 2 Tensión: 120V 1 Frecuencia: 60Hz	

Para guardar los ajustes una vez configurados los valores requeridos: pulse el botón "Down" durante 2 segundos (el botón **inferior** a la derecha de los conmutadores DIP). **Los LED de temperatura y batería baja parpadearán para indicar la aceptación de estos valores.**

Los conmutadores DIP pueden dejarse en las posiciones elegidas para poder recuperar siempre los "otros valores".



4. Especificaciones técnicas

MultiPlus	12/3000/120-50 120V	24/3000/70-50 120V
PowerControl / PowerAssist	Sí	
Entrada de CA	Rango de tensión de entrada: 95-140VCA; Frecuencia de entrada: 45 – 65Hz-; Factor de potencia: 1	
Corriente máxima de alimentación	50	
Corriente de alimentación CA mín. para PowerAssist (A)	7,5	
INVERSOR		
Rango de tensión de entrada (VCC)	9,5 – 17	19 – 33
Salida (1)	Tensión de salida: 120 VCA ± 2%	Frecuencia: 60 Hz ± 0,1%
Potencia cont. de salida a 25°C / 77°F (VA)	3000	3000
Potencia cont. de salida a 25 °C / 77°F (W)	2400	2400
Potencia cont. de salida a 40°C / 104°F (W)	2200	2200
Potencia cont. de salida a 65°C / 150°F (W)	1700	1700
Pico de potencia (W)	6000	6000
Eficacia máxima (%)	93	94
Consumo en vacío (W)	20	20
Consumo en vacío en modo AES (W)	15	15
Consumo en vacío en modo de búsqueda (W)	8	10
Corriente máxima de salida	64A pico, 45Arms durante 1 s	
CARGADOR		
Entrada de CA	Rango de tensión de entrada: 95-140VCA Frecuencia de entrada: 45 – 65Hz Factor de potencia: 1	
Tensión de carga de 'absorción' (V CC)	14,4	28,8
Tensión de carga de "flotación" (V CC)	13,8	27,6
Modo de almacenamiento (VCC)	13,2	26,4
Corriente de carga de la batería auxiliar (A)	120	70
Corriente de carga batería arranque (A)	4	
Sensor de temperatura de la batería	Sí	
GENERAL		
Salida auxiliar	Máx. 32A Se desconecta si no hay fuente CA externa disponible	
Relé programable (5)	Sí, 3x	
Protección (2)	a – g	
Puerto de comunicación VE.Bus	Para funcionamiento paralelo y trifásico, supervisión remota e integración del sistema	
Puerto com. de uso general	Sí, 2 puertos	
Características comunes	Temp. de trabajo: -40 a +65°C/ -40 – 150°F (refrigerado por ventilador) Humedad (sin condensación): máx. 95%	
CARCASA		
Características comunes	Material y color: aluminio (azul RAL 5012) Categoría de protección: IP 21	
Conexión de la batería	Cuatro pernos M8 (2 conexiones positivas y 2 negativas)	
Conexión 120V CA	Bornes de tornillo de 13 mm ² (6 AWG)	
Peso (kg)	19	
Dimensiones (al x an x p en mm.)	362 x 258 x 218	
NORMAS		
Seguridad	UL1741, UL458, EN 60335-1, EN 60335-2-29	
Emisión / Inmunidad	EN 55014-1, EN 55014-2, EN 61000-3-3	
Directiva de automoción	2004/104/EC	

1) Puede ajustarse a 50Hz;

2) Protección

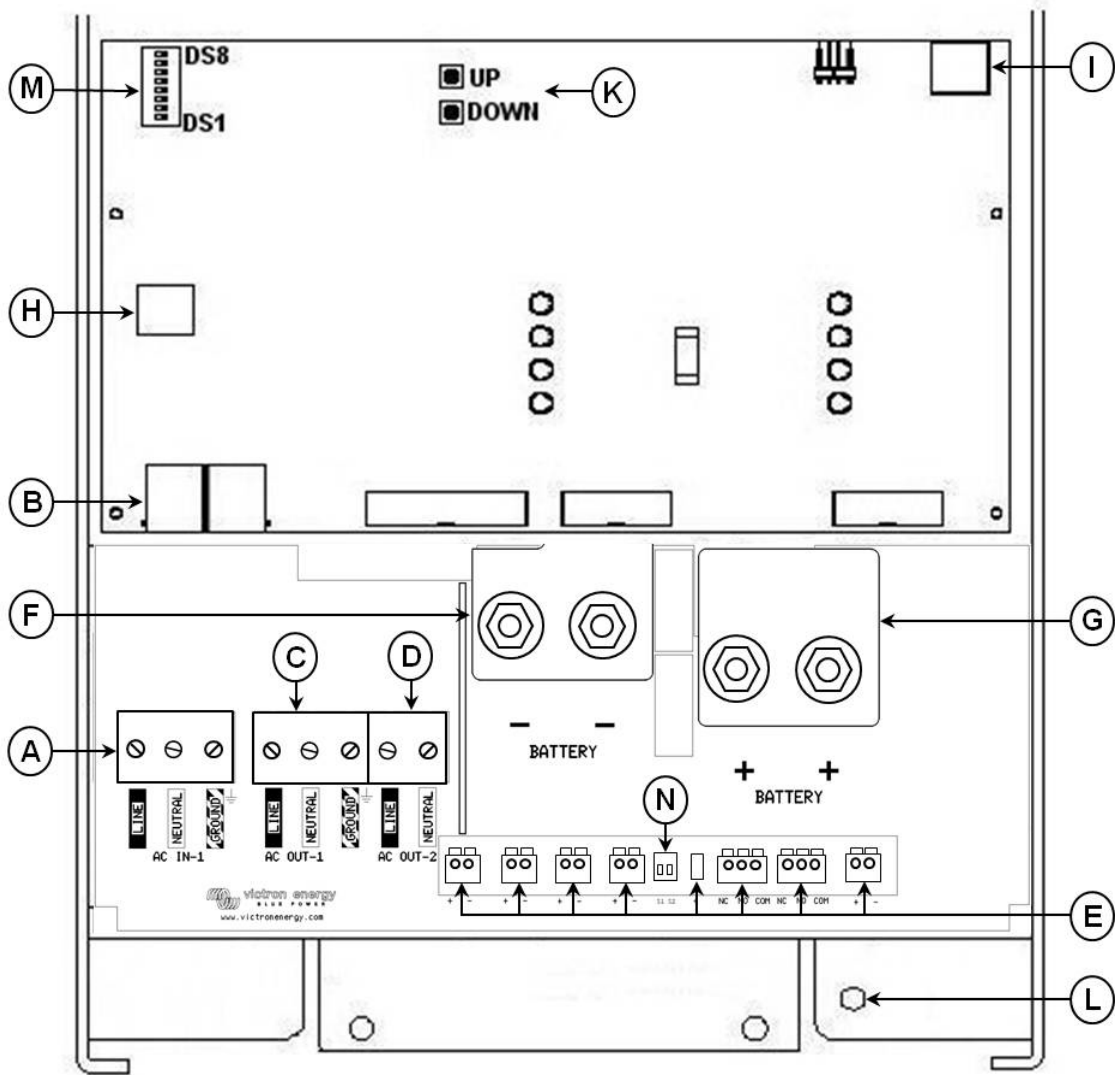
- a. Cortocircuito de salida
- b. Sobrecarga
- c. Tensión de la batería demasiado alta
- d. Tensión de la batería demasiado baja
- h. Temperatura demasiado alta
- f. 120VCA en la salida del inversor
- g. Ondulación de la tensión de entrada demasiado alta

3) Carga no lineal, factor de cresta 3:1

4) A 25°C ambiente

5) Relé programable configurable como alarma general, subtensión CC o señal de arranque para el generador

APPENDIX A: Overview connections
APÉNDICE A: Conexiones generales



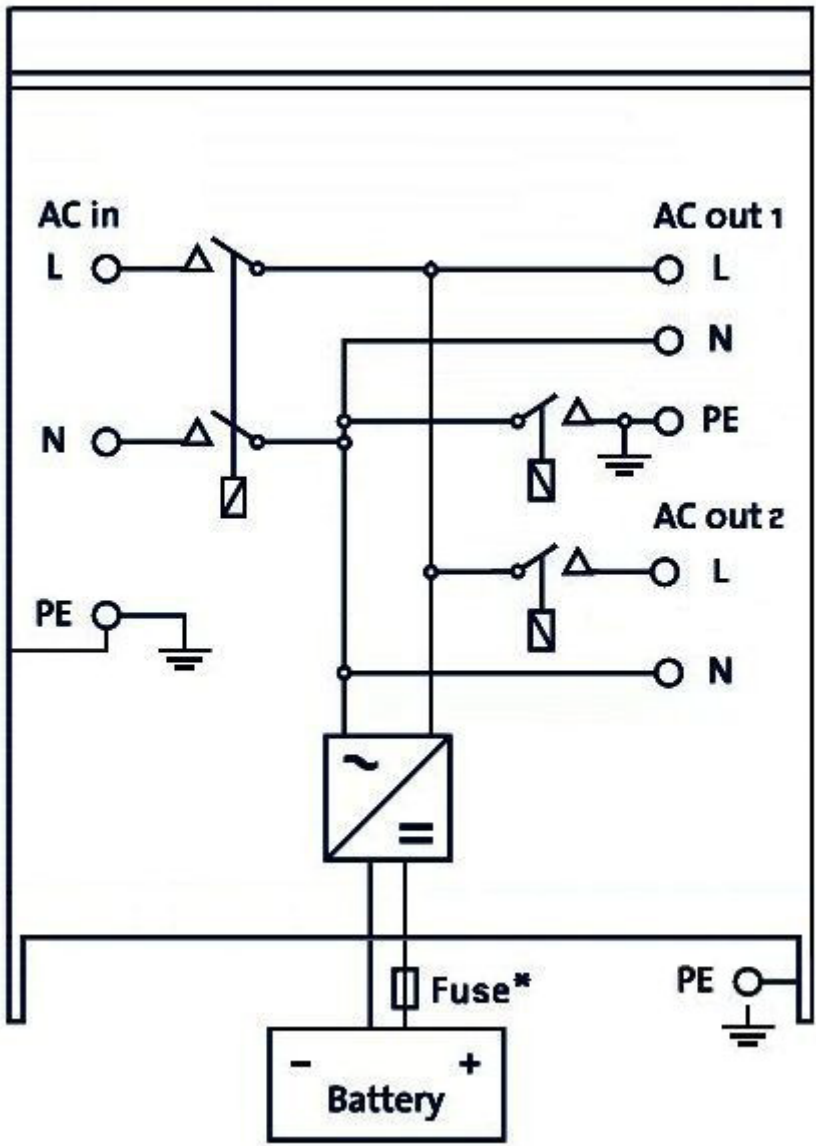
EN:

A	AC input (generator input) AC-in-1. Left to right: L (phase), N (neutral), GROUND (earth).
B	2x RJ45 connector for remote panel and/or parallel and 3-phase operation.
C	AC output AC-out-1. Left to right: L (phase), N (neutral), GROUND (earth).
D	AC output AC-out-2. Left to right: L (phase), N (neutral).
E	Terminals for: (left to right) Temperature sensor plus + & Temperature sensor minus -, Aux input 1 plus + & Aux input 1 minus -, Aux input 2 plus + & Aux input 2 minus -, GND-relay plus + & GND relay minus -, Starter battery plus + (<i>starter battery minus: use battery minus cable for connection</i>), Relay contacts K1 (NC/NO/COM), Relay contacts K2 (NC/NO/COM). Voltage sense plus + & Voltage sense minus -
F	Double M8 battery minus connection.
G	Double M8 battery positive connection.
H	Connector for remote switch: Short left and middle terminal to switch "on". Short right and middle terminal to switch to "charger only".
I	Programmable relay Alarm contact: Left to right: NC, NO, COM.
K	Push buttons for set-up mode
L	Primary ground connection M8 (PE).
M	DIP switches for set-up mode.
N	Slide switches, factory setting SW1= off position, SW2 = off position. SW1: Off = internal GND relay selected, On = external GND relay selected (to connect ext GND relay: see E). SW2: No application. To be used for future features.

ES:

A	Entrada CA (entrada del generador) AC-in-1. Izquierda a derecha: L (fase), N (neutro), GROUND (tierra).
B	2 conectores RJ45 para panel remoto y/o funcionamiento en paralelo o trifásico.
C	Salida de CA (AC-out-1) Izquierda a derecha: L (fase), N (neutro), GROUND (tierra).
D	Salida de CA (AC-out-2) Izquierda a derecha: L (fase), N (neutro).
E	Terminales para: (izquierda a derecha) Positivo del sensor de temperatura, negativo del sensor de temperatura. Positivo de la entrada aux 1 y Negativo de la entrada aux 1, Positivo de la entrada aux 2 y Negativo de la entrada aux 2, Positivo del relé de tierra y Negativo del relé de tierra, Positivo de la batería de arranque (negativo de la batería de arranque: usar cable negativo de la batería para conexión). Contactos de relé K1 (NC/NO/COM), Contactos de relé K2 (NC/NO/COM), Positivo de la sonda de tensión, negativo de la sonda de tensión
F	Conexión del negativo de la batería por medio de M8 doble.
G	Conexión positivo batería M8 doble.
H	Conector para conmutador remoto: Terminal izquierdo corto y medio para "encender". Terminal derecho corto y medio para conmutar a "charger only".
I	Relé programable Contacto de la alarma: Izquierda a derecha: NC, NO, COM.
K	Pulsadores para modo configuración
L	Conexión a tierra primaria M8 (PE).
M	Conmutadores DIP para modo de configuración.
N	Potenciómetros, ajuste de fábrica SW1 = posición off, SW2 = posición off. SW1: Off = seleccionado relé GND interno, On = seleccionado relé GND externo (para conectar relé GND externo: ver E). SW2: Sin función. Para su uso en funciones futuras.

APPENDIX B: Block diagram
APÉNDICE B: Diagrama de bloques

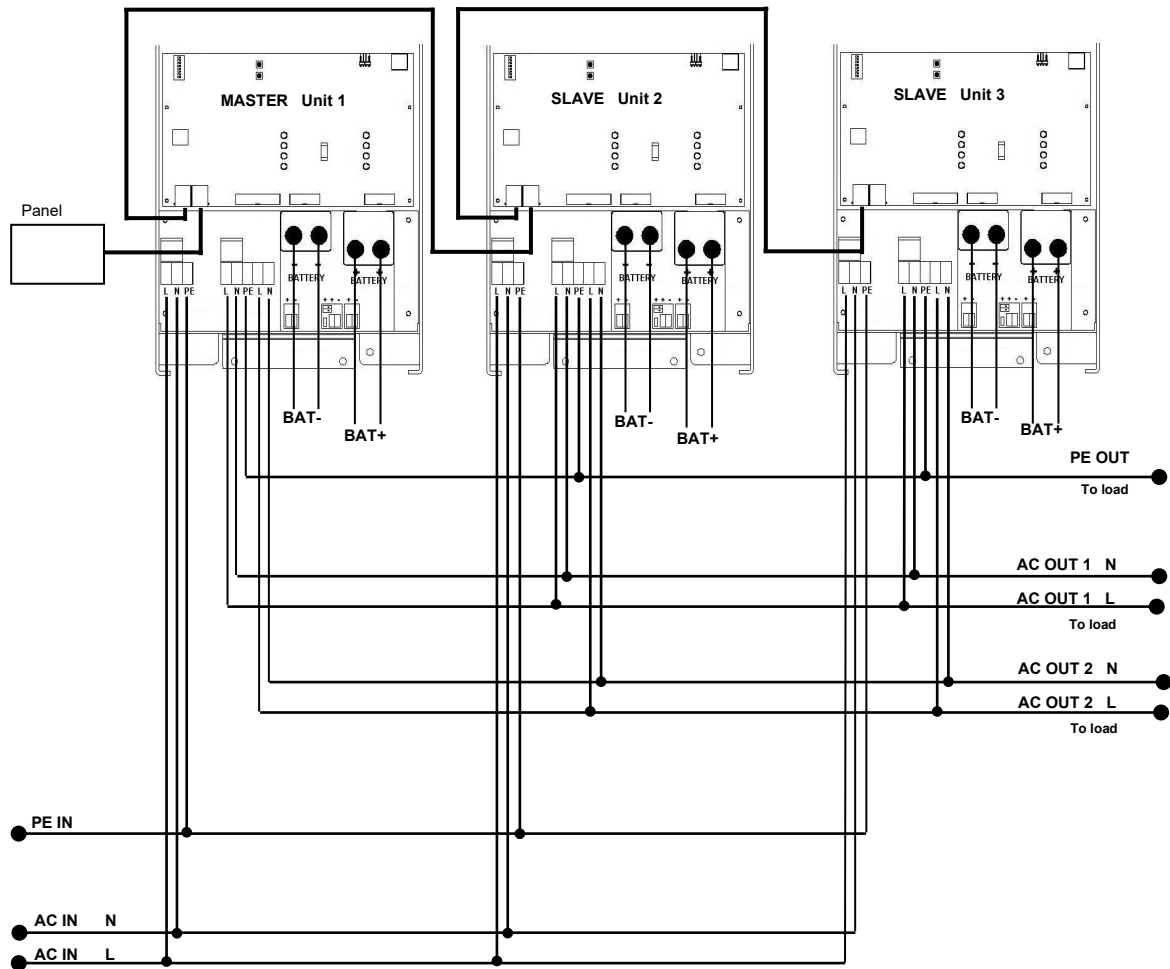


* See table in Chapter 4.2 "Recommended DC fuse".

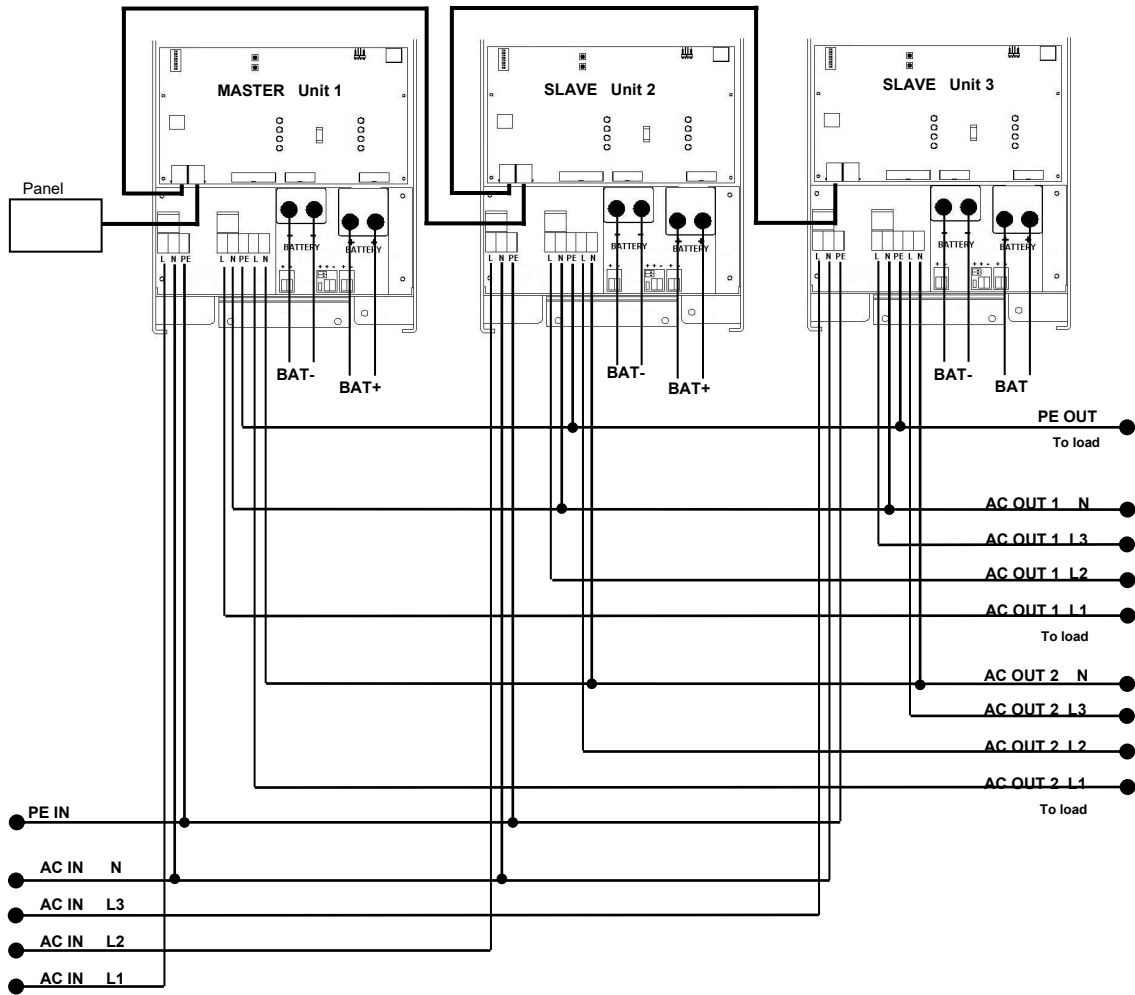
* Ver tabla en Capítulo 4.2 "Fusible CC recomendado".

APPENDIX C: Parallelconnection

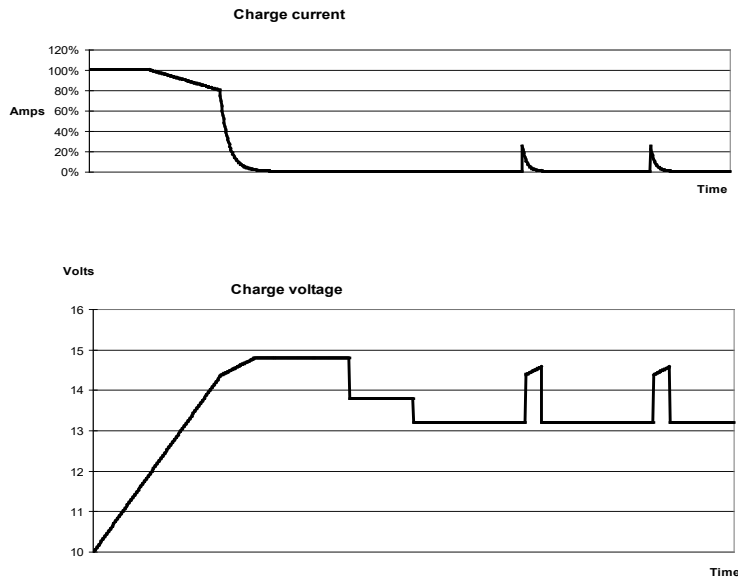
APÉNDICE C: Conexión en paralelo



APPENDIX D: Three-phase connection
APÉNDICE D: Conexión trifásica



APPENDIX E: Charge characteristic APÉNDICE E: Características de carga



EN

4-stage charging:

Bulk

Entered when charger is started. Constant current is applied until nominal battery voltage is reached, depending on temperature and input voltage, after which constant power is applied up to the point where excessive gassing is starting (14.4V resp. 28.8V, temperature compensated).

Battery Safe

The applied voltage to the battery is raised gradually until the set Absorption voltage is reached. The Battery Safe Mode is part of the calculated absorption time.

Absorption

The absorption period is dependent on the bulk period. The maximum absorption time is the set Maximum Absorption time.

Float

Float voltage is applied to keep the battery fully charged

Storage

After one day of float charge the output voltage is reduced to storage level. This is 13,2V resp. 26,4V (for 12V and 24V charger). This will limit water loss to a minimum when the battery is stored for the winter season.

After an adjustable time (default = 7 days) the charger will enter Repeated Absorption-mode for an adjustable time (default = one hour) to 'refresh' the battery.

ES

Carga de 4 etapas

Carga inicial

Introducido al arrancar el cargador. Se aplica una corriente constante hasta alcanzar la tensión de la batería, según la temperatura y de la tensión de entrada, tras lo cual, se aplica una corriente constante hasta el punto en que empiece un gaseado excesivo (14,4V y 28,8V resp. temperatura compensada).

BatterySafe

La tensión aplicada a la batería aumenta gradualmente hasta alcanzar la tensión de absorción establecida. El modo BatterySafe forma parte del tiempo de absorción calculado.

Absorción

El periodo de absorción depende del periodo inicial. El tiempo máximo de absorción máximo es el tiempo de absorción máximo establecido.

Flotación

La tensión de flotación se aplica para mantener la batería completamente cargada.

Almacenamiento

Después de un día de carga flotación, se reduce la tensión de salida a nivel de almacenamiento. Esto es 13,2V resp. 26,4V (para cargadores de 12V y 24V). Esto mantendrá la pérdida de agua al mínimo, cuando la batería se almacene para la temporada de invierno.

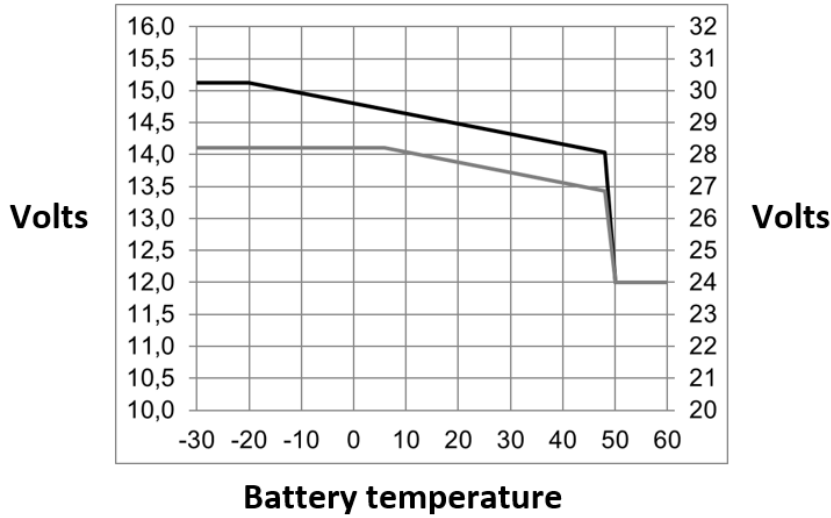
Tras un periodo de tiempo que puede ajustarse (por defecto = 7 días), el cargador entrará en modo "Repeated Absorption" (absorción repetida) durante un periodo de tiempo que se puede ajustar (por defecto = 1 hora) para "refrescar la batería.

APPENDIX F: Temperature compensation APÉNDICE F: Compensación de temperatura

EN

ES

Appendix



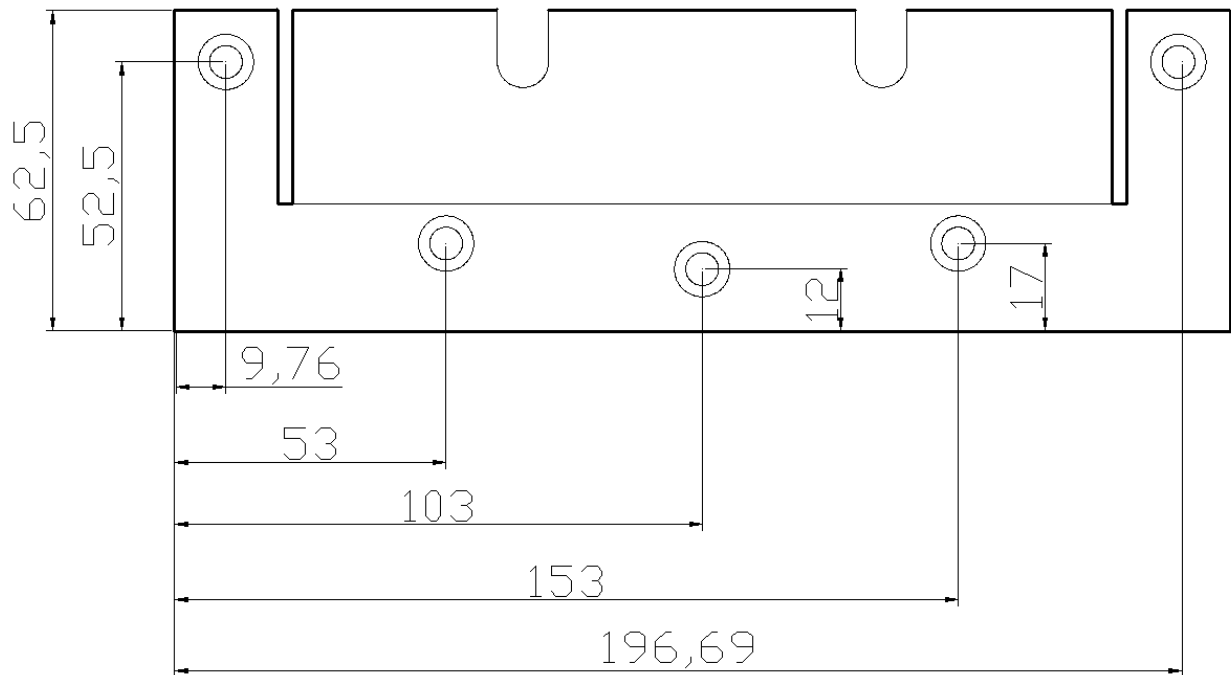
EN

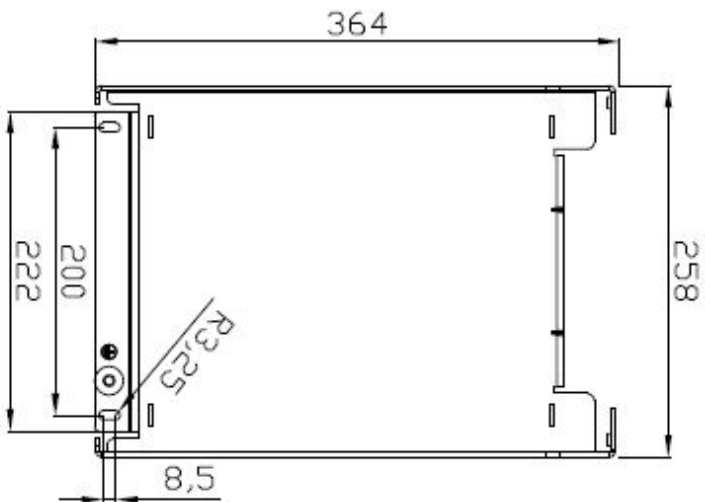
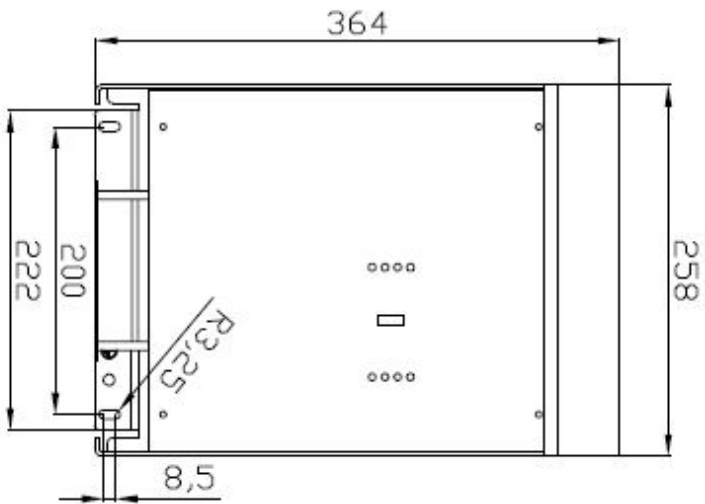
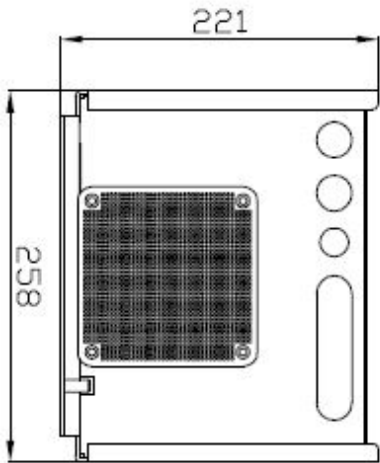
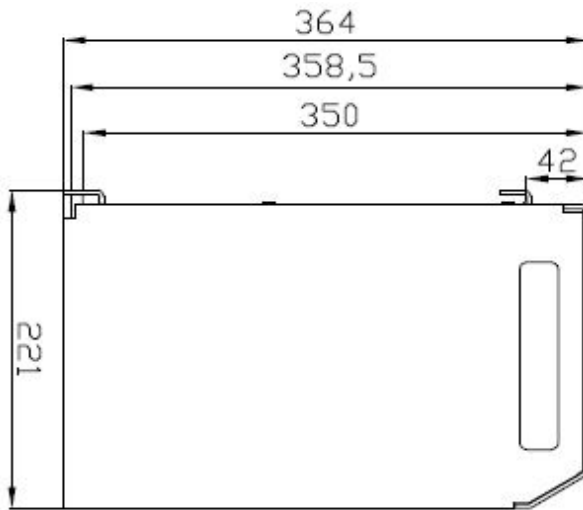
Default output voltages for Float and Absorption are at 25°C.
Reduced Float voltage follows Float voltage and Raised Absorption voltage follows Absorption voltage.
In adjust mode temperature compensation does not apply.

ES

Las tensiones de salida por defecto para flotación y absorción están a 25°C.
La tensión de flotación reducida sigue a la tensión de flotación y la tensión de absorción incrementada sigue a tensión de absorción.
En modo de ajuste la compensación de temperatura no se aplica.

APPENDIX G: Dimensions
APÉNDICE G: Dimensiones





Victron Energy Blue Power

Distributor:

Serial number:

Version : 08
Date : April 18th, 2024

Victron Energy B.V.
De Paal 35 | 1351 JG Almere
PO Box 50016 | 1305 AA Almere | The Netherlands

E-mail : sales@victronenergy.com

www.victronenergy.com